

■ LSAC025-MK(SK)
 - SIZE: W 1,200mm X H 675mm

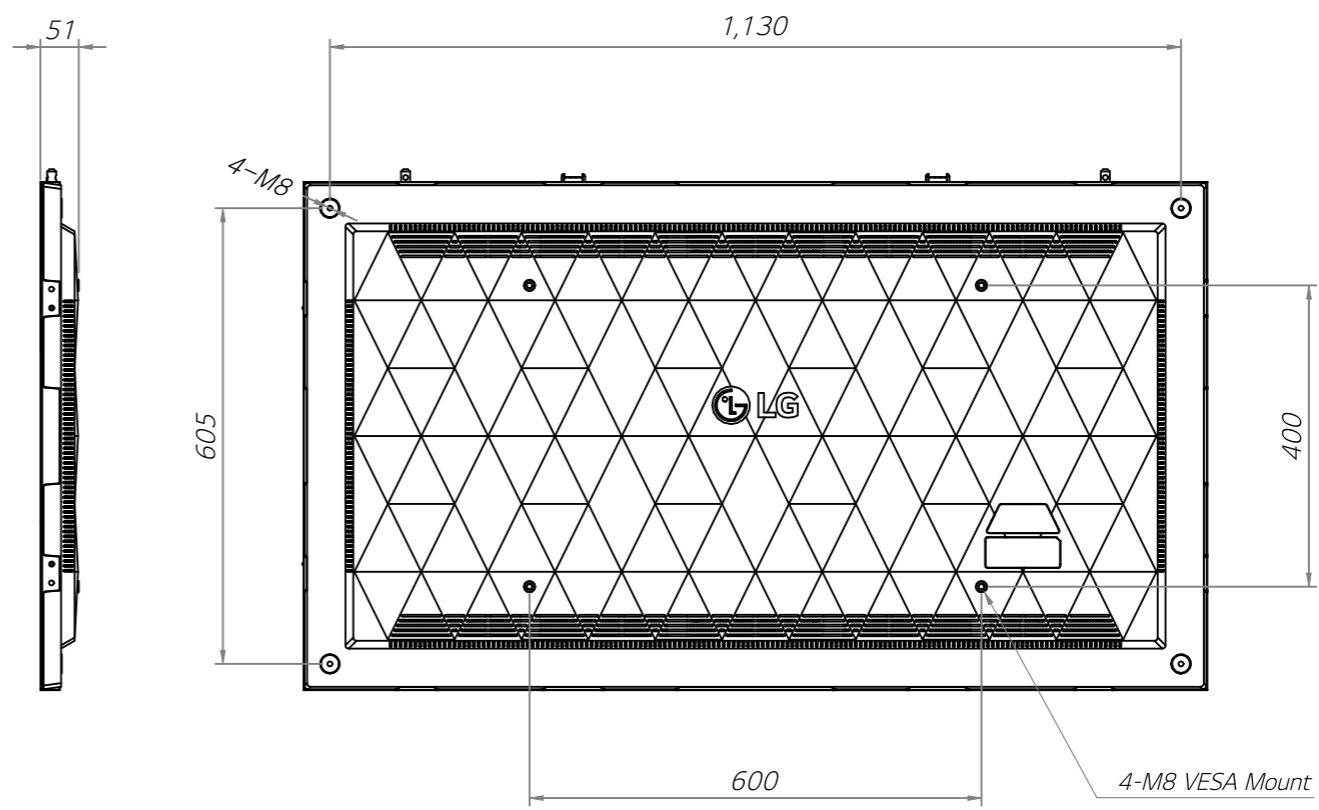
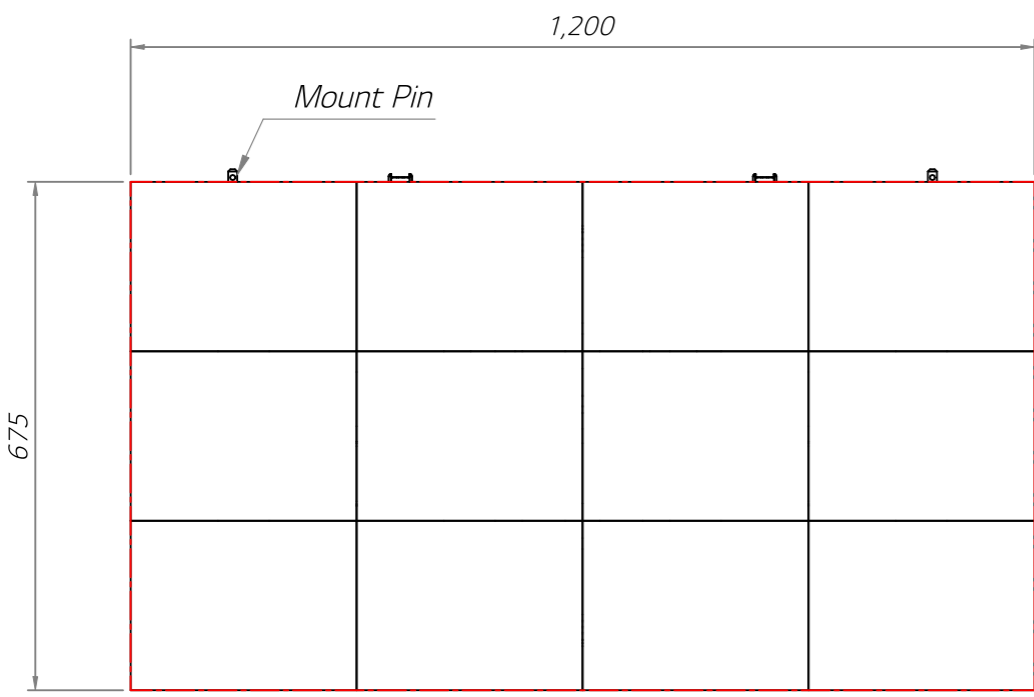
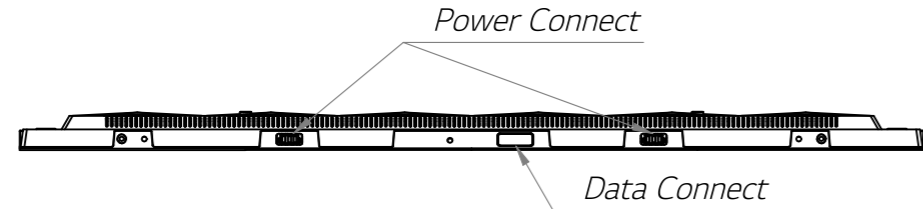
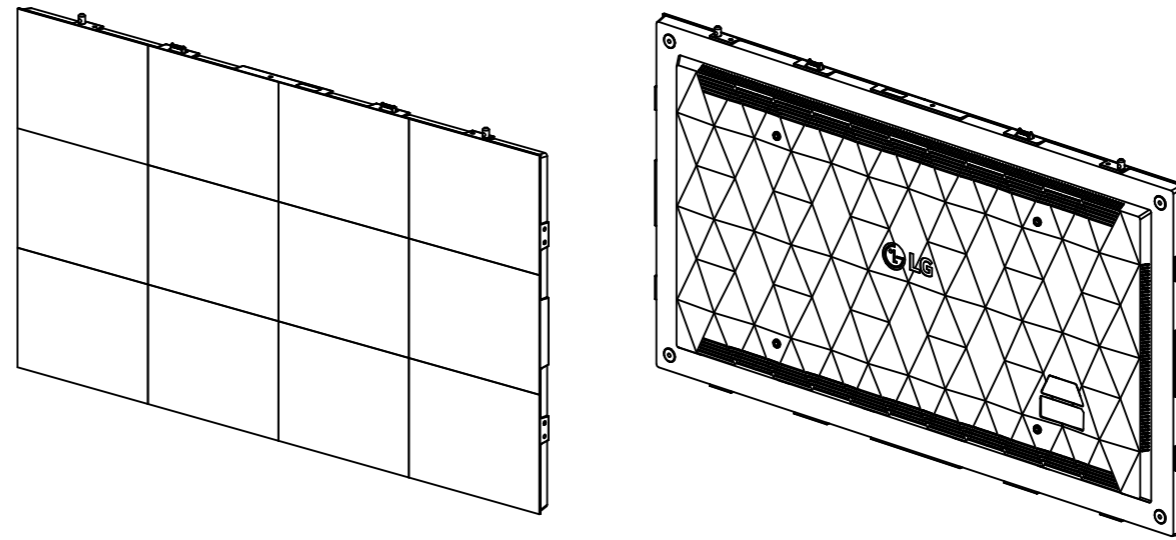


PROJECT TITLE

LED Screen

NOTE

1. This drawing is only for reference.
2. Specifications subject to change without notice.



△		
△		
△		
△		
△		
△		
△		
△		

REVISIONS DATE

DRAWN BY

DESIGNED BY

CHECKED BY

APPROVED BY

DRAWING TITLE
 Cabinet Elevation
 LSAC025-MK(SK)

MATERIAL

SCALE 1 / 10

DATE 2022. 04. 25.

SHEET NO. 001 REV. 1.1

A3/45(20x27mm 1/2mm)