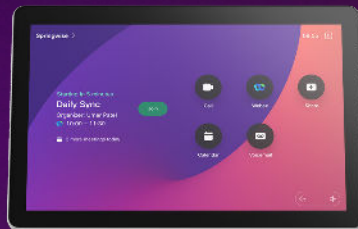
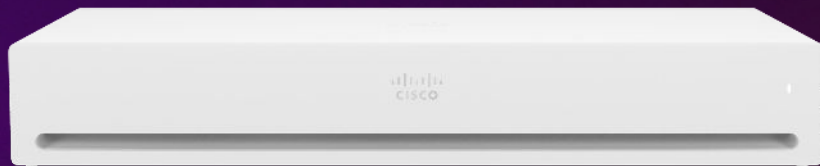


Cisco Room Kit Pro



Contents

07	Product features
09	Product capabilities
21	Feature availability matrix
25	Standards and regulatory compliance
26	Sustainability
26	Ordering information
30	Cisco environmental sustainability
30	Cisco service and support
30	Cisco capital



The Cisco Room Kit Pro provides a powerful and flexible room device bundle for creating the ultimate video collaboration experience for very large rooms and custom AV integration scenarios. It is designed to ease video conferencing deployment in large boardrooms, auditoriums, classroom theaters, conference rooms and purpose-built workspaces for vertical applications.

It is the most advanced product within the Room Kit Series, built with integrators in mind and enabling flexibility and creativity for customized video collaboration rooms that delight end users.

The Room Kit Pro acts as the audio and video engine for ultra HD video collaboration applications and AV integrations in which up to three screens, multiple cameras, microphones, speakers, other room peripherals, and content sources may be required. It is the ultimate video collaboration device for meetings and events in large spaces with unrivalled room intelligence, powered by Cisco RoomOS and running the native Microsoft Teams Rooms experience.





Figure 1. The Room Kit Pro with the Quad Camera, external dual-screens and the Precision 60 pan-tilt-zoom camera deployed in an auditorium

This high-performing integrator bundle continues the same artificial intelligence capabilities already offered on the rest of the Room Series: inclusive camera views, crisp sound, noise removal, touch-enabled and voice-based meetings controls, and smart workspace features enabled by built-in device sensors.

The Room Kit Pro delivers exceptional 4K video for high-quality video conferencing. The codec's rich set of video and audio inputs, flexible media engine, and support for up to three screens enable a variety of use cases, adaptable to your specific needs. The Room Kit Pro can be registered on premises or to the Webex cloud service.

The Room Kit Pro supports intelligent cameras and functionality to enable dynamic viewing capabilities and custom deployments for premium video meetings:

- **Cisco Quad Camera:** Camera system with four embedded digital cameras that enable best overview, speaker tracking and Frames intelligent

camera mode to bring more equity to hybrid meetings. With the Quad Camera, the Room Kit Pro can also deliver analytics such as people count.

- **Cisco SpeakerTrack 60 Camera:** Dual camera system featuring a unique direct, fast-switching approach for speaker tracking with two Precision 60 cameras.
- **Cisco PTZ 4K Camera:** A premium pan-tilt-zoom camera that provides superior video quality, powerful zoom capabilities, intelligent AI-based features, including PresenterTrack, and flexibility for optimized video collaboration experiences.
- **Cisco Precision 60 Camera:** Enables users to provide superior video quality at any bandwidth. Designed specifically for video conferencing, the Precision 60 camera provides true-to-life quality for interaction and collaboration while featuring PresenterTrack.

With its powerful media engine, the Room Kit Pro lets you build the video collaboration room tailored to your specific requirements.



Figure 2. The Room Kit Pro in a large clinical video room powering the Cisco Multi-Content Solution.

Cisco offers three integrator bundle options for the Cisco Room Kit Pro:

1. Room Kit Pro bundle



Figure 3. Cisco Room Kit Pro integrator package with Codec Pro, Quad Camera and Cisco Room Navigator

2. Room Kit Pro PTZ 4K bundle



Figure 4. Cisco Room Kit Pro PTZ 4K integrator package with Codec Pro, the Cisco PTZ 4K Camera and Cisco Room Navigator

The Codec Pro is also available separately as a standalone unit.



Figure 6. The Cisco Codec Pro

Bringing more intelligence to large and specialized rooms

The Cisco Room Kit Pro is video innovation in a box, bringing more intelligence and usability to your largest and specialized collaboration rooms and spaces. While others are still struggling to insert advanced features such as speaker tracking, wireless sharing, and 4K content into their high-end products, Cisco is already proliferating these innovations to meeting rooms of all sizes in a cost-effective and simple way. With the Room Kit Pro, you can experience smarter meetings, enable smarter presentations, and create smarter room and device integrations. And when registered to the Webex cloud service, additional cloud-based functionalities are enabled that enhance the user experience and team workflow as well as further simplifying deployment.

- 1. Smart meetings:** Powerful, integrated cameras deliver intelligent view capabilities, such as automatic group framing, equitable people framing and speaker tracking; automatic noise suppression to reduce meeting disruptions
- 2. Smart presentations:** Supports up to three screens, dual content sources, wireless sharing, and 4K content make for great presentations
- 3. Smart integrations:** People count for usage metrics and resource allocation; tight integrations with screens to enhance user interactions; APIs and macros allow meeting personalization
- 4. Registration flexibility:** Built for both cloud and on-premises deployment, protecting your investment



Product features

Table 1 summarizes the key features of the Room Kit Pro.

Table 1. Feature summary

FEATURE SUMMARY	
Design features	<ul style="list-style-type: none"> • Comes with the Codec Pro, one of the most powerful and feature-rich codecs available, with enhanced connectivity, robust integrations and the ultimate conferencing experience • UHD resolution to support large screen surfaces • 1.5 Rack Units (RU) high, rack mountable, with optional rack-mounting solution • Professional-grade connectors using Euroblock/Phoenix • Unmatched quality and flexibility • Standards-compliant 1080p and 2160p solution, compatible with standards-based video without losing features
Application features	<ul style="list-style-type: none"> • Supports Cisco Intelligent Proximity for content sharing to mobile devices and wireless sharing from Macs and PCs • Supports switched conferencing for enhanced layouts and enabling video on multiple screens • Easy control of room peripherals such as lights, room dividers, and curtains directly from the Cisco Room Navigator through the API (requires external third-party control system processor) • Limitless integration possibilities • Participate in Webex whiteboarding sessions from the Webex App; receive on-screen notification of shared whiteboard content (supported on cloud-registered devices) • Embedded MultiSite with up to 5 participants • 6 simultaneous video inputs that can be combined individually on all 3 outputs • Calls with HD video and UHD content • Simplified meeting-join experience with One Button to Push (OBTP) • Ideal for team-based collaboration, boardrooms, meeting rooms, and industry applications • Multi-platform video conferencing on RoomOS for native Webex meetings combined with powerful video interoperability with Microsoft Teams, Zoom and Google Meet; or running on Microsoft Teams Rooms for the native Microsoft Teams experience with the option to combine with full-featured Webex meetings.

Table 1. Feature summary

FEATURE SUMMARY	
Performance features	<ul style="list-style-type: none"> • Main video encode up to 1080p60 • Up to 20 Mbps Webex rate bandwidth (6 Mbps in point-to-point calls) • 6 simultaneous video inputs - 3x 4K and 3x Full HD • Connect up to 8 analog or up to 2 USB microphones directly to the codec, or add up to 4 multi-directional Cisco table microphones via PoE • Full-duplex audio with high-quality stereo sound • Full API • Cisco Media Assure packet loss protection



Product capabilities

Table 2 lists the specifications for the Room Kit Pro and select specifications for relevant cameras and peripherals where noted.

Table 2. Product specifications

SPECIFICATION	DESCRIPTION
Software compatibility	<ul style="list-style-type: none"> • RoomOS 10.x or later for native Webex meetings and video interoperability with Microsoft Teams (VIMT, WebRTC), Zoom (SIP), and Google Meet (WebRTC) • Microsoft Teams Rooms on Android
Default components in Room Kit Pro bundle	<ul style="list-style-type: none"> • Cisco Codec Pro • Cisco Quad Camera • Cisco Room Navigator • Wall mount for Quad Camera
Default components in Room Kit Pro PTZ 4K integrator bundle	<ul style="list-style-type: none"> • Cisco Codec Pro • Cisco PTZ 4K Camera • Cisco Room Navigator
Optional hardware components	<ul style="list-style-type: none"> • Cisco Table Microphone (with Euroblock plug), Cisco Table Microphone Pro, Cisco Ceiling Microphone, wall mount for Codec Pro, rack mount for Codec Pro, Cisco PTZ 4K Camera, Cisco Precision 60 Camera, Cisco SpeakerTrack 60 Camera, various cable and peripheral options (consult the Ordering information)
Bandwidth	<ul style="list-style-type: none"> • Up to 6 Mbps point-to-point • Up to 20 Mbps Webex rate

Table 2. Product specifications

SPECIFICATION	DESCRIPTION
Minimum bandwidth for resolution/frame rate	<ul style="list-style-type: none"> • 720p30 from 768 kbps • 720p60 from 1152 kbps • 1080p30 from 1472 kbps • 1080p60 from 2560 kbps
Firewall traversal	<ul style="list-style-type: none"> • Cisco Expressway™ technology H.460.18, H.460.19 firewall traversal
Video standards	<ul style="list-style-type: none"> • H.264, H.265, H.263
Video inputs (6)	<ul style="list-style-type: none"> • 2x HDMI inputs support formats up to maximum 1080p60 • 3x HDMI inputs support formats up to maximum UHD (3840 x 2160) @ 30 fps including HD1080p60 • 1x 3G-SDI/HD-SDI input supports formats up to maximum 1080p60 • Extended Display Identification Data (EDID) • Consumer Electronics Control (CEC) 2.0
Video outputs (3)	<ul style="list-style-type: none"> • 2x HDMI outputs support formats up to 3840 x 2160@60 fps (4Kp60) • 1x HDMI output supports formats up to 3840 x 2160@30 fps (4Kp30) • CEC 2.0
Encode and decode	<ul style="list-style-type: none"> • Video stream: Full HD 1080p60 • Content stream: 4K 2160p15
Audio standards	<ul style="list-style-type: none"> • G.711, G.722, G.722.1, G.729AB, AAC-LD mono and stereo, Opus Stereo

Table 2. Product specifications

SPECIFICATION	DESCRIPTION
<p>Audio features</p>	<ul style="list-style-type: none"> • High quality 20 kHz audio • 8x separate acoustic echo cancelers • 8-port audio mixer • 8 assignable equalizers • Acoustic Echo Cancellation (AEC) • Active Lip Synchronization • AI-Powered, Adaptive Noise Removal • Automatic Gain Control (AGC) • Full Duplex • Full-Band Audio • Self-Hear • Ultrasound Technology
<p>Audio inputs</p>	<ul style="list-style-type: none"> • 8x microphones, 48V phantom powered, Euroblock connector, each with separate echo cancelers and noise reduction; all microphones can be set for balanced line level • 3x HDMI, digital: stereo PC/DVD input • Up to 4x digital Cisco Table Microphone Pro units via PoE (Audio over IP) for directional voice pickup (may require an external PoE switch) • 2x USB-A, digital: stereo input for USB microphone connectivity
<p>Audio outputs</p>	<ul style="list-style-type: none"> • 6x balanced line level outputs, Euroblock connector • 3x HDMI outputs • HDMI input #1 supports Audio Return Channel (ARC) audio output to Quad Camera • 1x RCA output for subwoofer (Quad Camera)
<p>Loudspeakers (Quad Camera)</p>	<ul style="list-style-type: none"> • High-quality loudspeaker system with a single full-range driver and dual low-frequency drivers • Frequency response 100 Hz to 20 kHz • Max output level SPL 90 dB
<p>Camera modes (Quad Camera)</p>	<ul style="list-style-type: none"> • Group view: Automatically detects meeting participants and provides ideal group framing for the best view • Speaker view: Uses a dedicated, built-in microphone array to detect and provide a prominent view for the active speaker • Frames: Captures a condensed view of in-room participants and frames them individually or in smaller groups for more equitable meetings, on Webex and when using third-party meetings

Table 2. Product specifications

SPECIFICATION	DESCRIPTION
<p>Video stream layouts</p>	<ul style="list-style-type: none"> Supporting available Webex video stream layouts and meeting features, including focus, grid, prominent, stack, and overlay. For more information, please consult the Webex Help Center. People Focus helps create an optimized view of every participant in Webex meetings via smart cropping to remove excess real estate
<p>Speaker tracking (Quad Camera, SpeakerTrack 60)</p>	<ul style="list-style-type: none"> Quad Camera offers 8-element built-in microphone array for accurate speaker tracking Quad Camera can support Group view framing and people Frames camera feature with 5x zoom capability feature with 5x zoom capability For an optimal speaker-tracking experience for people joining remotely, it is recommended that the furthest in-room participant is located within less than 9 meters from the video device. Please note that the Group view camera mode can support a larger distance from the Quad Camera. SpeakerTrack 60 can support Closeup feature with 20x zoom capability
<p>PresenterTrack (PTZ 4K Camera, Precision 60 Camera)</p>	<ul style="list-style-type: none"> AI-powered face and upper body detection capability Camera automatically follows the active presenter within a defined zone and helps ensure optimized view
<p>Content stream</p>	<ul style="list-style-type: none"> H.239 (H.323) dual stream BFCP Session Initiation Protocol (SIP) dual stream Supports resolutions up to 3840 x 2160p15 fps and 1080p60
<p>Wireless sharing</p>	<ul style="list-style-type: none"> Webex App (up to 3840 x 2160 at 7.5 fps) Cisco Intelligent Proximity client (up to 1920 x 1080 at 3 fps) Miracast (1920 x 1080 at 30 fps) – Not available on non-radio version. Apple AirPlay wireless sharing: <ul style="list-style-type: none"> Screen mirroring up to 1920 x 1080 at 60 fps Extended desktop (Mac only) – up to 1920 x 1080 at 60 fps Video streaming up to 3840 x 2160 at 30 fps
<p>Multipoint support</p>	<ul style="list-style-type: none"> 5-way embedded SIP/H.323** conferencing capability with MultiSite option

Table 2. Product specifications

SPECIFICATION	DESCRIPTION
<p>MultiSite features (embedded multipoint) (optional upgrade)</p>	<ul style="list-style-type: none"> • Adaptive SIP/H.323** MultiSite: <ul style="list-style-type: none"> • 3-way resolution up to 1080p30 plus content up to 4Kp15 • 4-way resolution up to 720p30 plus content up to 4Kp15 • 5-way resolution up to 720p30 plus content up to 4Kp15 • Full individual audio and video transcoding • H.323**, SIP, and VoIP in the same conference • Support for presentation (H.239, BFCP) from any participant at resolutions up to 3840 x 2160p15 • Best impression (automatic continuous presence layouts) • Encryption and dual stream from any site
<p>Protocols</p>	<ul style="list-style-type: none"> • H.323 • SIP • Webex • WebRTC
<p>Embedded encryption</p>	<ul style="list-style-type: none"> • H.323** and SIP point-to-point • Standards-based: H.235 v3 and Advanced Encryption Standard (AES) • Automatic key generation and exchange

Table 2. Product specifications

SPECIFICATION	DESCRIPTION
<p>IP network features</p>	<ul style="list-style-type: none"> • DNS lookup for service configuration • Differentiated Services (DiffServ) (Quality of Service [QoS]) • IP-adaptive bandwidth management (including flow control) • Automatic gatekeeper discovery • Dynamic playout and lip-sync buffering • H.245 Dual-Tone Multifrequency (DTMF) tones in H.323 • DTMF tones in SIP, RFC 4733 • Date and time support using Network Time Protocol (NTP) • Packet loss-based down speeding • Uniform Resource Identifier (URI) dialing • TCP/IP • Dynamic Host Configuration Protocol (DHCP) • 802.1X network authentication • 802.1Q Virtual LAN • 802.1p QoS and class of service • Cisco Media Assure and ClearPath, including packet loss-based downspeeding
<p>Call control</p>	<ul style="list-style-type: none"> • Cisco Collaboration Cloud/Webex • Native registration with Cisco Unified Communications Manager (CUCM) – requires CUCM Version 10.5.2 or later with device pack for Room Kit Pro • Native registration with Cisco Expressway • Third-party H.323 gatekeepers and standards-based SIP proxies
<p>IPv6 network support</p>	<ul style="list-style-type: none"> • Single call stack support for both H323 and SIP • Dual-stack IPv4 and IPv6 for DHCP, SSH, HTTP, HTTPS, DNS, DiffServ • Support for static IP address assignment, stateless auto-configuration, and DHCP v6
<p>Security features</p>	<ul style="list-style-type: none"> • Secure management using HTTPS and SSH protocols • End-to-end encryption for calls and meetings on Webex • Standards-based media encryption on all back-ends (Secure Real-time Transport Protocol [SRTP], using AES-128-GCM or AES-256-GCM) • WPA3TM and WPA3-Enterprise with CCMP128 Wi-Fi® security • Password protection to access administration (Room Navigator) • Network settings protection

Table 2. Product specifications

SPECIFICATION	DESCRIPTION
Certificate management	<ul style="list-style-type: none"> • Certificate Authority Proxy Function (CAPF) support for additional security • Manufacturer-Installed Certificates (MIC) • Locally Significant Certificates (LSC) • X.509 Digital Certificates (DER encoded binary); both DER and Base-64 formats are acceptable for the client and server certificates; certificates with a key size of 1024, 2048, and 4096 are supported
Network interfaces Codec Pro	<ul style="list-style-type: none"> • 1x Ethernet (RJ-45) 10/100/1000 for LAN • 2x Ethernet (RJ-45) 10/100/1000 for direct pairing with camera (camera control) • 2x Ethernet (RJ-45) 10/100/1000 with PoE, 1 dedicated for device controls via Room Navigator and connectivity with room peripherals, including the multi-directional Cisco Table Microphone Pro. • Wi-Fi 802.11a/b/g/n/ac 2.4 GHz and 5 GHz for LAN - not available in non-radio versions • 2x2 Multiple Input and Multiple Output (MIMO) <p>Note: Due to compliance regulations, it is required that 802.11d is enabled in the access point for the product to operate properly within 5725 MHz - 5875 MHz.</p> <p>Using a Wifi connection is a flexible option, however an Ethernet connection is always preferred for high performance.</p>
Other interfaces	<ul style="list-style-type: none"> • 2x USB A port, USB-B, micro USB port, factory reset pinhole • Bluetooth® and Bluetooth® Low Energy*
Power supply (Quad Camera)	<ul style="list-style-type: none"> • 100 to 240 VAC, 50/60 Hz, 12V DC input • Standby 6W, average 20W, peak 70W
Operating temperature and humidity	<ul style="list-style-type: none"> • 0° to 35°C (32° to 95°F) ambient temperature • 10% to 90% Relative Humidity (RH)

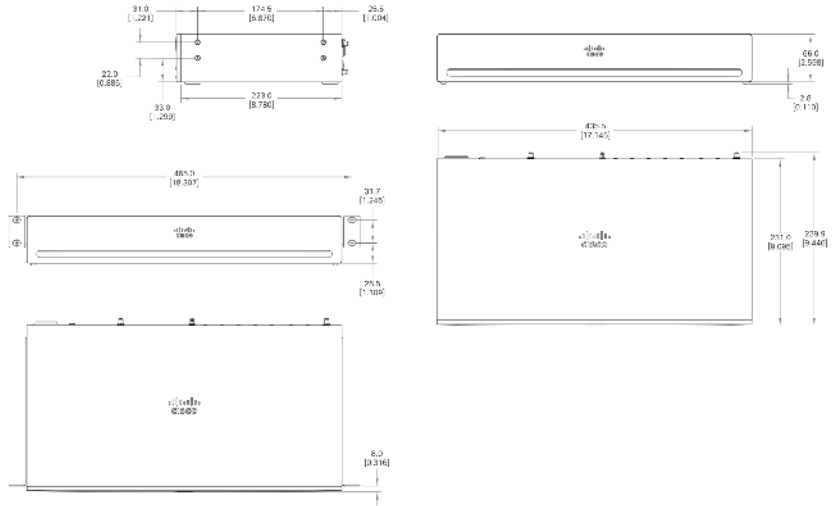
Table 2. Product specifications

SPECIFICATION	DESCRIPTION
<p>Storage and transport temperature</p>	<ul style="list-style-type: none"> -20° to 60°C (-4° to 140°F) at RH 10% to 90% (noncondensing)
<p>Language support</p>	<ul style="list-style-type: none"> Arabic, Czech, Danish, German, US English, UK English, Catalanian, Spanish, Latin-American Spanish, Finnish, French, Canadian French, Hebrew, Hungarian, Italian, Japanese, Korean, Dutch, Norwegian, Polish, Brazilian Portuguese, Portuguese, Russian, Swedish, Turkish, Chinese (Simplified), Traditional Chinese, Ukrainian
<p>Form factor</p>	<ul style="list-style-type: none"> Cisco Quad Camera color options in First Light and Carbon Black (coming soon) The Quad Camera supports flexible mounting on the wall or on the screen, either above or underneath the screen(s). Codec Pro supports wall mounting, rack ear mounting, and custom placement as a free-standing unit. For more information, please consult the Cisco Room Kit Pro Installation Guide.

Table 2. Product specifications

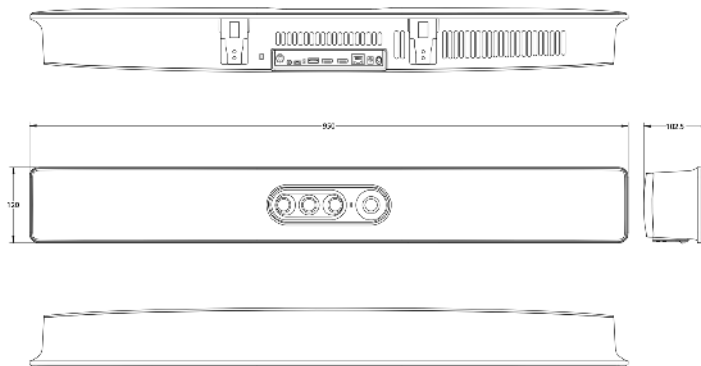
SPECIFICATION	DESCRIPTION
---------------	-------------

Dimensions



Cisco Codec Pro ([CAD Drawings](#)):

- Width: 17.1 in. (43.6 cm)
- Height: 2.6 in. (6.6 cm)
- Depth: 9.1 in. (23.1 cm)
- Weight: 7.3 lb (3.3 kg)



Cisco Quad Camera ([CAD Drawings](#)):

- Width: 37.4 in. (95.0 cm)
- Height: 4.7 in. (12.0 cm)
- Depth: 4.0 in. (10.3 cm)
- Weight: 10.6 lb (4.8 kg)

Table 2. Product specifications

SPECIFICATION	DESCRIPTION
	<p>Dimensions for other available cameras:</p> <ul style="list-style-type: none"> • PTZ 4K Camera: <ul style="list-style-type: none"> • Width: 6.3 in. (15.8 cm) • Height (at max tilt): 7.0 in. (17.7 cm) • Depth: 8.0 in. (20.0 cm) • Weight: 3.75 lb (1.7 kg) • Precision 60 Camera: <ul style="list-style-type: none"> • Length: 10.6 in. (26.8 cm) • Height (at max. tilt): 7.1 in (18 cm) • Depth: 6.4 in. (16.3 cm) • Weight: 5.5 lb. (2.5 kg) • SpeakerTrack 60 Camera: <ul style="list-style-type: none"> • Length: 31.5 in. (80.0 cm) • Height: 11.5 in. (29.2 cm) • Depth: 8.3 in. (21.0 cm) • Weight: 25.4 lb (11.5 kg)

CISCO QUAD CAMERA OVERVIEW

- 4x 20MP CMOS image sensors with machine intelligent switching
- The camera generates frames from the 4 sensors simultaneously to provide a single HD output at 1080p
- Support up to 60 fps
- 1/1.7 CMOS
- 5x zoom
- f/2.0 aperture
- 83° horizontal field of view on wide lens
- 50° horizontal field of view on 3 tele-lenses
- Automatic group framing (audio + face detect)
- Speaker tracking
- Intelligent people framing for equitable views
- 5056 x 3888 pixel resolution
- Auto focus, brightness, and white balance
- Focus distance 1 m to infinity

CISCO PTZ 4K CAMERA OVERVIEW

- 1920 x 1080 at 60 fps/3840 x 2160 at 30 fps resolution
 - Zoom 240x total
 - 20x optical zoom
 - 12x digital zoom
 - Pan and tilt
 - Pan range: +/- 170 degrees
 - Tilt range: +/- 20 degrees
 - Field of View (FoV)
 - Horizontal FoV: 70 degrees
 - 1.0 m to infinity (wide) focus distance
 - F-value: 2.0 – 3.8
 - Camera control: Visca over IP (LAN port)
 - Focus, white balance, and brightness: Manual or automatic
 - Video interfaces
 - HDMI 2.0
 - Power
 - 12V/3A
 - 100 to 120/200 to 240 VAC, 50/60 Hz
 - PoE+ (IEEE802.3at compatible)
 - Must be used with power supply FSP040-RHAN3, Phihong POE29U-1AT(PL) or Microsemi PD-9001GR/AT/AC
-

CISCO PRECISION 60 CAMERA OVERVIEW

- 1920 x 1080 at 60 fps resolution
 - Zoom
 - 10x optical zoom
 - 2x digital zoom
 - 20x total zoom
 - Pan and tilt
 - Pan range: +/- 100 degrees
 - Tilt range: +/- 20 degrees
 - Field of view (FoV)
 - Horizontal FoV: 80 degrees
 - Vertical FoV: 48.8 degrees
-

CISCO PRECISION 60 CAMERA OVERVIEW

- 1.0 m to infinity (wide) focus distance
- F-value: 1.5
- Camera control: Ethernet
- Focus, white balance, and brightness: Automatic or manual
- Video interfaces
 - HDMI 1.4
 - 3G-SDI
- Power
 - 12V/3A
 - 100-120/200-240VAC, 50/60 Hz

Network interfaces: One LAN/Ethernet (RJ-45) 10/100 Mbit

CISCO SPEAKERTRACK 60 CAMERA OVERVIEW

- 1920 x 1080 at 60 frames per second (fps)
- Zoom 20x total
 - 10x optical zoom
 - 2x digital zoom
- Pan and tilt
 - Pan range: +/- 100 degrees
 - Tilt range: +/- 20 degrees
- Field of View (FoV)
 - Horizontal FoV: 80 degrees
 - Vertical FoV: 48.8 degrees
 - Tracking horizontal FoV: 80 degrees
- 1.0 m to infinity (wide) focus distance
- F-value: 1.5
- Camera control: Ethernet
- Focus, white balance, and brightness: Manual or automatic
- Video interfaces
 - HDMI 1.4
- Power
 - 12V/6.5A
 - 100-120 or 200-240 VAC; 50 or 60 Hz

* The Bluetooth® word mark and logos are registered trademarks owned by Bluetooth SIG, Inc. and any use of such marks by Cisco Systems, Inc. is under license. Other trademarks and trade names are those of their respective owners.

** H.323 is proprietary Cisco version.

Feature availability matrix

Table 4. Feature availability matrix for Cisco Room Kit Pro

FEATURE	ROOMOS	MICROSOFT TEAMS ROOMS (WITH REGISTRATION TO CONTROL HUB)	MICROSOFT TEAMS ROOMS
Native Microsoft Teams Rooms meeting experience	No	Yes	Yes
Native Webex meeting experience	Yes	Yes, via One-Button-to-Push meeting join	No
Microsoft Teams Meetings with VIMT (CVI) or WebRTC / Direct Guest Join	Yes	N/A	N/A
Google Meet interop (WebRTC)	Yes	No	No
Zoom Meetings interop	Yes, feature-rich SIP meetings	Yes, WebRTC-based meetings	Yes, WebRTC-based meetings
Video standards supported	H.264 AVC, H.265 H.263	H.264 AVC	H.264 AVC

Table 4. Feature availability matrix for Cisco Room Kit Pro

FEATURE	ROOMOS	MICROSOFT TEAMS ROOMS (WITH REGISTRATION TO CONTROL HUB)	MICROSOFT TEAMS ROOMS
Standards-based video interop (SIP/H.323 dialing)	Yes	No	No
Content sharing resolution	In active meeting: up to 3840 x 2160 at 15 fps Outside of active meeting: up to 3840 x 2160 at 30 fps	In active meeting: up to 1920 x 1080 at 15 fps Outside of active meeting: up to 1920 x 1080 at 30 fps	In active meeting: up to 1920 x 1080 at 15 fps Outside active meeting: up to 1920 x 1080 at 30 fps
Simultaneous content sources for local presentation (outside video meeting)	3	1	1
Wireless sharing options	Webex App, Miracast, Apple AirPlay	Microsoft Teams Sharing, Miracast	Microsoft Teams Sharing, Miracast
Multi-camera support	Yes	Yes	Yes
Presenter tracking	Yes	Yes	Yes

Table 4. Feature availability matrix for Cisco Room Kit Pro

FEATURE	ROOMOS	MICROSOFT TEAMS ROOMS (WITH REGISTRATION TO CONTROL HUB)	MICROSOFT TEAMS ROOMS
Triple-screen support for live video and content	Yes	No	No
People Focus intelligent layout composition	Yes, in Webex meetings	In native Webex meetings only	No
Frames camera mode for individual participant views	Yes	Yes	Yes
ML-based noise removal	Yes	Yes	Yes
Deployment options	On premises, cloud, hybrid	Cloud only	Cloud only
Voice assistant	Webex Assistant	No	No
Enterprise calling	Webex Calling / UCM	Teams Calling	Teams Calling

Table 4. Feature availability matrix for Cisco Room Kit Pro

FEATURE	ROOMOS	MICROSOFT TEAMS ROOMS (WITH REGISTRATION TO CONTROL HUB)	MICROSOFT TEAMS ROOMS
Cloud device management	Control Hub	Teams Admin Center & Control Hub	Teams Admin Center
Room booking	Hybrid Calendar + Room Navigator touch panel	Microsoft Teams Calendar + Room Navigator touch panel as Teams Panel	Microsoft Teams Calendar+ Room Navigator touch panel as Teams Panel
Conference controls	Hybrid Calendar + Room Navigator touch panel	Microsoft Teams Calendar + Room Navigator touch panel as Microsoft Teams Rooms Touch Console	Microsoft Teams Calendar+ Room Navigator touch panel as Microsoft Teams Rooms Touch Console
Native, third-party web apps	Yes	No	No
Digital signage	Yes	No	No
Custom controls with Macros and User Interface extensions	Yes	No	No
Customized branding (logos, wallpaper)	Yes	No	No

Table 4. Feature availability matrix for Cisco Room Kit Pro

FEATURE	ROOMOS	MICROSOFT TEAMS ROOMS (WITH REGISTRATION TO CONTROL HUB)	MICROSOFT TEAMS ROOMS
Workplace analytics in Control Hub with APIs	Yes	Yes	No
Multi-tenant device management, bulk configuration and automated software upgrades	Yes	Yes	No
Network-level diagnostics and observability	Coming soon	Coming soon	No

Standards and regulatory compliance

1. Directive 2014/53/EU (Radio Equipment Directive) for the radio versions Directive 2014/30/EU (EMC Directive) for the non-radio versions Directive 2014/35/EU (Low-Voltage Directive) for the non-radio versions
2. Directive 2011/65/EU (RoHS)
3. Directive 2002/96/EU (WEEE)
4. NRTL approved (product safety)
5. FCC CFR 47 Part 15B (EMC) – Class A FCC CFR 47 Part 15C (RF)
6. FCC CFR 47 Part 15E (RF) FCC listed (radio equipment)

Please check the Product Approval Status Database <https://www.ciscofax.com/> for approval documents per country.

Sustainability

- Circular design principles applied for product architecture, materials, and packaging
- 100% recyclable packaging design including fiber-based trays and a reduced amount of single-use plastics
- Increased use of Post-Consumer Recycled (PCR) resin originating from end-of-life Cisco devices and old electronics on cosmetic parts
- The video bar, codec, and other peripherals are designed for easy repair, refurbishing, and recycling to extend the lifecycle of the product and the materials used for manufacturing .
- Using built-in presence sensors and environmental sensors in the touch panel, it can provide real-time and historic occupancy metrics to control the workspace environment and optimize power consumption.
- Power over Ethernet (PoE) connects and powers the camera, the touch controller, the microphones and other accessories to enable smart energy consumption.
- Cisco’s takeback and reuse program enables you to return your end- of-use devices for free, via a simple, secure, and sustainable process.
- [Learn more](#) about how Cisco supports the Circular Economy.

Ordering information

To place an order, please contact your local Cisco representative and refer to Table 3.

Table 3. Ordering information

PRODUCT NAME	PART NUMBER	COMPLIANCE MODEL NUMBER
Cisco Room Kit Pro	CS-KITPRO-K9	-
• Cisco Codec Pro	CS-CODEC-PRO+	TTC6-13
• Cisco Quad Camera	CS-QUADCAM+	TTC8-10
• Cisco Room Navigator control unit	CS-T10-TS+	TTC5-15
Cisco Room Kit Pro with PTZ 4K Camera	CS-KITPRO-PTZ4K-K9	-
• Cisco Codec Pro	CS-CODEC-PRO+	TTC6-13
• Cisco PTZ 4K Camera	CS-CAM-PTZ4K+	EVI-X200C
• Cisco Room Navigator control unit	CS-T10-TS+	TTC5-15

Table 3. Ordering information

PRODUCT NAME	PART NUMBER	COMPLIANCE MODEL NUMBER
Cisco Codec Pro	CS-CODEC-PRO-K9	TTC6-13
<ul style="list-style-type: none"> Cisco Codec Pro 	CS-CODEC-PRO+	TTC6-13
Cisco Codec Pro, No Radio	CS-CODEC-PRO-NR-K9	TTC6-13
<ul style="list-style-type: none"> Cisco Codec Pro – No Radio 	CS-CODEC-PRO-NR+	TTC6-13
Cisco Codec Pro – TAA compliant, including	CS-CODEC-PRO-K9++	TTC6-13
<ul style="list-style-type: none"> Cisco Codec Pro – TAA, No Radio, or Cisco Codec Pro – TAA 	CS-CODEC-PRO-NR++	TTC6-13
	CS-CODEC-PRO++	TTC6-13
Cisco Codec Pro, No Radio, Non-Encrypted	CS-CODEC-PRO-K7	TTC6-13
<ul style="list-style-type: none"> Cisco Codec Pro – No Radio 	CS-CODEC-PRO-NR-K7+	TTC6-13
Options		
Rack ears for Codec Pro	CS-CPRO-RACKEARS	-
Wall-mount kit for Codec Pro	CS-CPRO-WMK	-
Cisco Table Microphone Pro	CS-MIC-ARRAY-T	TTC5-17
Cisco Table Microphone with Euroblock connector	CS-MIC-TABLE-E	TTC5-14

Table 3. Ordering information

PRODUCT NAME	PART NUMBER	COMPLIANCE MODEL NUMBER
Extension cable for Table Microphone	CAB-MIC-EXT-E	-
Cisco Ceiling Microphone	CTS-MIC-CLNG-G2	TTC5-13
Shielded cable for Ceiling Microphone (non-plenum rated)	CAB-ETHRSHLD-10M	-
8 m/26 ft HDMI 2.0 certified cable	CAB-PRES-2HDMI-GR	-
HDMI 2.0 cable 1.5 m/5 ft, gray	CAB-2HDMI-1.5M-GR	-
HDMI 2.0 cable 3 m/10 ft, gray	CAB-2HDMI-3M-GR	-
Ethernet cable 1.5 m/5 ft, gray	CAB-ETH-1.5M-GR	-
Ethernet cable 3 m/10 ft, gray	CAB-ETH-3M-GR	-
Ethernet cable 5 m/16.4 ft, gray	CAB-ETH-5M-GR	-
Software options – ordered separately		
Remote Monitoring	L-KIT-RM (L-TP-RM)	-
MultiSite (embedded multipoint)	L-KITPRO-MS	-

Table 3. Ordering information

PRODUCT NAME	PART NUMBER	COMPLIANCE MODEL NUMBER
Spares		
Cisco Codec Pro	CS-CODEC-PRO=	TTC6-13
Cisco Codec Pro – No Radio Non-Encryption	CS-CODEC-PRO-NR-K7=	TTC6-13
Cisco Quad Camera	CS-QUADCAM=	TTC8-10
Cisco PTZ 4K Camera	CS-CAM-PTZ4K=	EVI-X200C
Cisco Precision 60 Camera	CTS-CAM-P60=	TTC8-07

Cisco environmental sustainability

Information about Cisco’s environmental sustainability policies and initiatives for our products, solutions, operations, and extended operations or supply chain is provided in the “Environment Sustainability” section of [Cisco’s Corporate Social Responsibility \(CSR\) Report](#).

Reference links to information about key environmental sustainability topics (mentioned in the “Environment Sustainability” section of the CSR Report) are provided in the following table:

SUSTAINABILITY TOPIC	REFERENCE
Information on product material content laws and regulations	Materials
Information on electronic waste laws and regulations, including products, batteries, and packaging	WEEE compliance

Cisco makes the packaging data available for informational purposes only. It may not reflect the most current legal developments, and Cisco does not represent, warrant, or guarantee that it is complete, accurate, or up to date. This information is subject to change without notice.

Cisco Service and Support

Cisco and our partners provide a broad portfolio of intelligent, personalized services and support that can help you realize the full value of your Cisco Collaboration investment by increasing business agility and network availability. Our portfolio of services helps you accelerate business innovation through a network-based collaboration platform that enables businesses to collaborate anywhere, at any time. For more information about these services, visit <https://www.cisco.com/c/en/us/solutions/collaboration/service-listing.html>.

Cisco Capital

Flexible payment solutions to help you achieve your objectives

Cisco Capital makes it easier to get the right technology to achieve your objectives, enable business transformation and help you stay competitive. We can help you reduce the total cost of ownership, conserve capital, and accelerate growth. In more than 100 countries, our flexible payment solutions can help you acquire hardware, software, services and complementary third-party equipment in easy, predictable payments. [Learn more.](#)

For more information



Learn more about the [Cisco Room Kit Pro](#) and the [Room Kit Pro PTZ 4K Bundle](#).

Learn more about [Cisco Room Kits](#).

Download the [Webex App](#).

June 2023