

# Cisco Room Bar Pro



# Contents

04	Product overview
07	Features and benefits
09	Product registration
09	Product specifications
21	Feature availability matrix
24	Ordering information
27	Warranty information
27	Product sustainability
28	Hardware as a service
28	Cisco Capital
28	Cisco services and support
28	Learn more



Figure 1. Cisco Room Bar Pro with dual flat screen displays for video conferencing in a medium-sized meeting room

Cisco Room Bar Pro is an integrated, AI-enhanced video bar solution featuring intelligent dual cameras, a three-channel loudspeaker system, built-in microphone array, a powerful computing engine and rich connectivity options, combined with an intuitive touch controller and smart room accessories to provide intelligent, inclusive video collaboration for medium-sized meeting spaces.

It's a powerful video conferencing device that connects with up to three screens to video-enable and upgrade medium meeting rooms, training rooms and other spaces in a way that's easy to deploy, manage and scale.

Video-enable your medium rooms at scale with a room collaboration device that's easy to deploy, engaging to use, and more affordable to maintain—creating a connected, intelligent workplace.



Figure 2. Cisco Room Bar Pro paired with dual flat screen displays for video meeting and content sharing running the native Microsoft Teams Rooms experience

## Product overview

This smart video bar scales artificial intelligence-powered video meeting experiences, room configuration flexibility, interoperability, and workspace intelligence to elevate video conferencing from a wide set of workspaces.

### AI-enhanced, cinematic video meetings

Cisco Room Bar Pro uses sophisticated image sensors and powerful image processing to enable enhanced camera reach, improved image quality and wider field of views to any workspace. Its dual, 96 MP camera system offers a 112-degree field of view lens and a tele-lens that seamlessly work together to bring clear, optimized framing for every participant in the room.

This is augmented with spatial audio, improved speech capture and machine learning-powered noise removal supporting engaging acoustic experiences for in-room and remote participants alike. In addition, the device works with the multi-directional Cisco Table Microphone

Pro digital conferencing peripheral for high-fidelity voice capture over IP.

The Room Bar Pro scales the best of AI into any room with intelligent framing, voice commands, virtual meeting zones, closed captioning, and real-time translation to any video meeting. The solution integrates with up to three external screens and offers a versatile set of wired and wireless content sharing options for rich video collaboration.



Figure 3. Cisco Room Bar Pro deployed with a triple-screen setup for video meeting and content sharing running the native Cisco RoomOS experience

## Easily equip and scale your spaces for hybrid work

The device seamlessly and securely connects with flat-screen external displays, various analog, USB and PoE conferencing microphones, speakers, and other room accessories to help elevate the room experience. End users can easily connect the video bar with dual video and content sources via HDMI and USB-C, and pair laptops and portable devices with a single USB-C to enable effortless switching to BYOD mode for software-client based video conferencing.

It provides advanced connectivity and allows for simplified cable management to bring seamless room setup and user experience to any room. The consolidated mounted unit, the built-in power supply and the versatile input and output integration create effortless deployment while removing the need for various adapters and complex cabling in the meeting room.

## Get unrivalled interoperability

Room Bar Pro is a powerful video bar appliance for native, laptop-free video collaboration that offers native support for Microsoft Teams Rooms on Android and Cisco RoomOS on a secure, purpose-built platform. Therefore, the device is the most advanced video bar solution designed for medium sized spaces, uniquely delivering these native experiences.

Room Bar Pro was designed for multi-platform experiences in mind. When configured for Cisco RoomOS, it powers the native Webex experience combined with advanced interoperability with Microsoft Teams, Zoom and Google Meet, while in native Microsoft Teams Rooms mode it gives the option to join full-featured Webex meetings beyond the native Microsoft Teams and Zoom direct guest join experience.



Figure 4. The Cisco Room Bar Pro video bar unit from top, front, side, bottom, and back view

## Keep your devices and spaces under control

Room Bar Pro can be deployed as a fully managed, secure IT asset and comes with a single pane of glass view of device and workspace metrics in the Control Hub. It's easy to deploy and set up, while leveraging unified management, remote monitoring, diagnostics, analytics, and workspace insights across your entire Cisco deployment. By doing so, IT and Facilities teams can monitor device health and usage, and check environmental conditions and occupancy to enable better resource planning.

With Cisco Room Bar Pro, users can easily access conference controls and device settings, add room booking, control room peripherals, and access third-party workspace apps with the Cisco Room Navigator touch device featuring built-in room sensors—deployed either as a tabletop or wall-mounted panel.

# Features and benefits

Table 1. Cisco Room Bar Pro features and benefits

FEATURE	BENEFIT
<p><b>AI-enhanced, cinematic video meetings</b></p>	<ul style="list-style-type: none"> <li>• Full HD, immersive video meetings powered by an all-in-one, codec-powered video conferencing appliance optimized for medium workspaces</li> <li>• Simplified, one-button-to-push meeting-join experience on Webex and third-party meeting apps, including Microsoft Teams, Zoom, and Google Meet, powered by robust video interoperability (available in RoomOS mode)</li> <li>• Native support for Microsoft Teams Rooms on Android while providing the ability to join full-featured Webex meetings (coming soon).</li> <li>• Sleek, all-in-one design and thin form factor available in carbon and first light color options to augment the room experience</li> <li>• Video bar includes a integrated, codec-powered video collaboration bar featuring 96MP dual camera system, noise cancelling microphone array, 3-channel loudspeakers, a powerful computing engine featuring an AI-powered NVIDIA chipset, and extended connectivity options via Ethernet, USB, HDMI and analog ports</li> <li>• Brings optimized, AI powered views using camera intelligence:             <ul style="list-style-type: none"> <li>- 112-degree horizontal field of view supported by the wide-angle lens: Allows everyone in the room to remain visible, even when capturing people at a shorter distance. In parallel, the 70-degree-field-of-view tele-lens captures and frames those located further from the device. An additional virtual lens via software enhancement allows to extend the camera reach to make sure even those sitting at the far-end of the table come across sharp (coming soon).</li> <li>- Frames camera mode: Uses AI to automatically capture a condensed view of in-room participants and frame them individually or in smaller groups for more equitable meetings (available on Webex and third-party meeting platforms).</li> </ul> </li> <li>• Beamforming, 16-element microphone array allows for enhanced noise cancellation and voice capture for a more inclusive experience for remote participants. Combined with machine learning-powered noise removal, it blocks out even those unwanted background noises that are not eliminated by traditional noise cancellation technologies.</li> <li>• Audio pickup can be extended with external microphones to adapt to a wider array of meeting spaces over IP (support for up to three Cisco Table Microphone Pro units), USB and analog connectivity</li> <li>• 3-channel loudspeaker system allows for clear stereo sound on any platform, and supporting directional audio in Webex Meetings by emitting sound closer to the live video feed of the active remote speaker, resulting in a truly immersive, spatial audio experience</li> </ul>

Table 1. Cisco Room Bar Pro features and benefits

FEATURE	BENEFIT
<p><b>Flexible connectivity</b></p>	<ul style="list-style-type: none"> <li>• Supports three screens for video and content over HDMI out</li> <li>• Supports dual content sources for local meetings (HDMI and USB-C)</li> <li>• View whiteboard content and annotations shared from Cisco Board Series, Desk Series, or the Webex App</li> <li>• 4K wireless content sharing for exceptional presentations with Webex, Miracast and Apple AirPlay</li> <li>• USB passthrough for instant BYOD - Connect your laptop with Room Bar Pro via a single USB-C to use the camera, microphones, and speakers of the device for an instant studio</li> <li>• Streamlined connectivity with AV over IP room peripherals, including Cisco and third-party digital microphones, external IP cameras, and more accessories over PoE</li> <li>• USB-A connection for microphones, speakers, keyboard, and touch display</li> <li>• Automatic screen/display integration through HDMI CEC</li> <li>• Supports Wi-Fi and Bluetooth® **</li> </ul>
<p><b>Workspace intelligence</b></p>	<ul style="list-style-type: none"> <li>• Runs on RoomOS for an intuitive, secure user experience that is consistent across Cisco Room, Board and Desk Series—removing barriers from adoption with an operating system purpose-built for video collaboration</li> <li>• Uses ultrasound technology to automatically detect presence and activate the device when someone walks into the room, and recognizes them through their mobile device</li> <li>• Comes with the Cisco Room Navigator tabletop control unit for native conference controls, access to device settings, room controls, and environmental sensor-based monitoring. Can be paired with the wall-mount Room Navigator to augment the room experience with room booking, scheduling, and third-party workspace experience applications for space reservation, wayfinding, digital signage, and more</li> <li>• Provides intelligent people count based on presence sensors and custom macros, enabling alignment with safety guidelines and analytics for better resource planning</li> <li>• Enables smart customizations via macros and custom APIs, such as digital signage, custom alerts, and UI extensions</li> <li>• Device controls with voice commands using the Webex Assistant chatbot</li> <li>• Control peripherals such as lights and blinds through the Cisco Room Navigator</li> <li>• Environmental sensors when connected to the touch controller measure humidity, temperature, noise levels and air quality</li> </ul>



Table 1. Cisco Room Bar Pro features and benefits

FEATURE	BENEFIT
<p><b>Simplified deployment and management</b></p>	<ul style="list-style-type: none"> <li>• Unified management, provisioning, remote monitoring, troubleshooting, cloud API integration, device and workspace analytics in the Control Hub device management portal</li> <li>• Flexibility to register on-premises or in the Webex Cloud</li> <li>• Hardware is optimized to run on a cloud platform for great experiences in shared rooms and spaces with easy access to hosted conferences</li> <li>• Single vendor and support path simplifies IT efforts and helps reduce operating costs</li> <li>• Secure architecture and management powered by Cisco RoomOS operating system</li> <li>• Circular device design, simplified and 100% recyclable packaging, and optimized energy consumption for sustainability. Carbon emission insights coming soon to Control Hub to help keep track of and optimize the carbon footprint of the Cisco device deployment</li> </ul>

## Product registration

Table 2. Cisco Room Bar Pro product registration

LICENSE	TERM
<p><b>Cisco Device Subscription</b></p>	<ul style="list-style-type: none"> <li>• Monthly or 1-, 2-, 3-, 4-, or 5-year options</li> </ul>

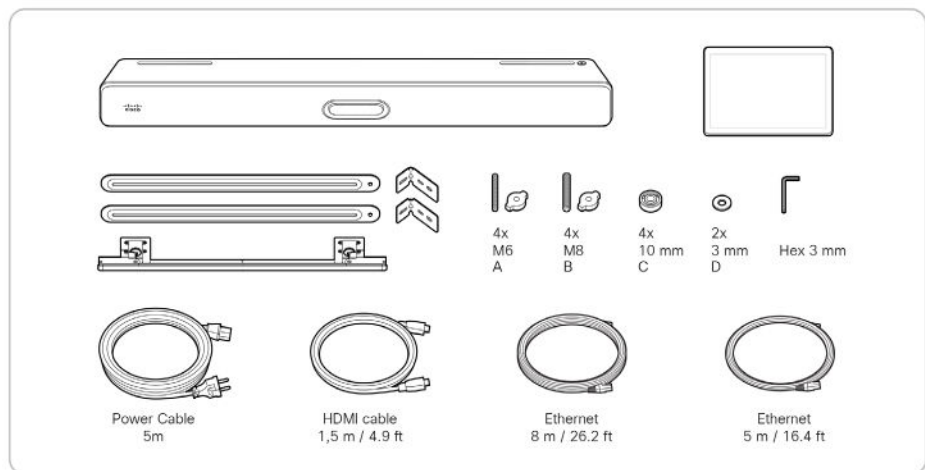
## Product specifications

Table 3. Cisco Room Bar Pro product specifications

SPECIFICATION	DESCRIPTION
<p><b>Software compatibility</b></p>	<ul style="list-style-type: none"> <li>• RoomOS 11.5.1.x or later for native Webex meetings and video interoperability for Microsoft Teams, Zoom, and Google Meet. On-premises deployments are supported from RoomOS version 11.5.2.x</li> <li>• Microsoft Teams Rooms on Android (coming soon – also featuring native Webex meetings when registered in Control Hub)</li> </ul>

Table 3. Cisco Room Bar Pro product specifications

SPECIFICATION	DESCRIPTION
<b>Default components</b>	<ul style="list-style-type: none"> <li>• Room Bar Pro unit (First Light or Carbon Black) with built-in codec, dual cameras, speakers, and microphones</li> <li>• Mounting Kit for Cisco Room Bar Pro (for screen and wall)</li> <li>• Ethernet cable (for network connection, 16.4 ft / 5 m)</li> <li>• HDMI cable (for one display, 4.9 ft / 1.5 m)</li> <li>• Cisco Room Navigator for Table (First Light)</li> <li>• Ethernet cable (for Room Navigator, 26.2 ft / 8 m)</li> <li>• Power cord (country-specific)</li> </ul>



**Optional hardware components (ordered separately)**

- Camera privacy cover for Room Bar Pro
- HDMI cable (for additional displays)
- HDMI presentation cable (8 m / 26.2 ft)
- Multi-head 4K cable (9 m or 2 m; HDMI/USB-C/MicroDP to HDMI)
- Cisco USB-C active optical cable (9 m / 29.5 ft)
- Cisco USB-C to USB-A cable (4 m / 13 ft)
- Cisco Table Microphone
- Cisco Table Microphone Pro
- Cisco Ceiling Microphone
- Cisco Table Microphone Microphone extension cable
- Cisco Room Navigator for Table
- Cisco Room Navigator for Wall
- Cisco PTZ 4K Camera

Table 3. Cisco Room Bar Pro product specifications

SPECIFICATION	DESCRIPTION
<b>Camera overview</b>	<ul style="list-style-type: none"> <li>• Dual camera system featuring a 112° wide-angle lens and a 70° tele-lens, both with 48 MP image sensors</li> <li>• Motorized tilt (between -2° and 20°)</li> <li>• 30 frames per second</li> <li>• 1/1.3” Quad Bayer</li> <li>• 5x digital zoom</li> <li>• f/2.8 fixed aperture on 112° camera and f/1.85 fixed aperture on 70° camera</li> <li>• 112 an 70° horizontal field of view</li> <li>• 94 and 55° vertical field of view</li> <li>• Auto framing (face detect)</li> <li>• Speaker tracking</li> <li>• Auto brightness and white balance</li> <li>• Fixed focus lens (112) and Auto focus (VCM) (70)</li> <li>• Automatic rotation of the image when the video bar unit is mounted upside down</li> <li>• Group view, Speaker view and Frames camera mode for individual participant framing, alongside manual camera adjustments</li> </ul>
<b>Visual indicators</b>	<ul style="list-style-type: none"> <li>• Camera On green LED indicator</li> <li>• Power indicator</li> </ul>
<b>Bandwidth</b>	<ul style="list-style-type: none"> <li>• Up to 20 Mbps bandwidth</li> </ul>
<b>Firewall traversal</b>	<ul style="list-style-type: none"> <li>• Cisco Expressway™ technology</li> <li>• H.460.18, H.460.19 firewall traversal</li> </ul>
<b>Video standards</b>	<ul style="list-style-type: none"> <li>• H.263, H.264, H265</li> </ul>

Table 3. Cisco Room Bar Pro product specifications

SPECIFICATION	DESCRIPTION
<b>Video inputs</b>	<ul style="list-style-type: none"> <li>• 1x HDMI input supports formats up to maximum 3840 x 2160 at 30 fps, including 1920 x 1080 at 60 fps</li> <li>• 1x USB-C input supports formats up to maximum 3840 x 2160 at 30 fps, including 1920 x 1080 at 60 fps</li> <li>• Consumer Electronics Control (CEC) 2.0</li> </ul>
<b>Video outputs</b>	<ul style="list-style-type: none"> <li>• 3x HDMI outputs supporting formats up to 3840 x 2160 at 60 fps</li> <li>• Live video resolutions (encode and decode) up to 1920 x 1080 at 30 fps and 60 fps</li> <li>• Consumer Electronics Control (CEC) 2.0</li> <li>• Touchscreen compatible (when used together with USB-A inputs for touch signaling)*</li> </ul>
<b>Encode and decode</b>	<ul style="list-style-type: none"> <li>• Main video stream: 1920 x 1080 at 60 fps</li> <li>• Presentation channel: 3840 x 2160 at 15 fps</li> </ul>
<b>Audio standards</b>	<ul style="list-style-type: none"> <li>• G.711, G.722, G.722.1, G.729, AAC-LD, and Opus</li> </ul>
<b>Audio features</b>	<ul style="list-style-type: none"> <li>• Acoustic Echo Cancellation (AEC)</li> <li>• Active Lip Synchronization</li> <li>• AI-Powered Noise Removal</li> <li>• Automatic Gain Control (AGC)</li> <li>• Beamforming Microphones</li> <li>• De-Reverberation</li> <li>• Full Duplex</li> <li>• Full-Band Audio</li> <li>• Self-Hear</li> <li>• Spatial Audio</li> <li>• Ultrasound Technology</li> </ul>

Table 3. Cisco Room Bar Pro product specifications

SPECIFICATION	DESCRIPTION
<p><b>Audio inputs</b></p>	<ul style="list-style-type: none"> <li>• 1x HDMI input</li> <li>• 2x analog line in for microphone input</li> <li>• 2x PoE supporting audio over IP. Provides connection with up to 3x Cisco Table Microphone Pro multi-directional conferencing peripherals or multiple third-party microphones via AES67 audio interoperability. Please note that depending on the number of connected microphones, the setup may require an Ethernet switch</li> <li>• 1x DisplayPort/USB-C input</li> <li>• 2x USB-A input</li> <li>• Bluetooth® - Not available on Non Radio Version**</li> </ul>
<p><b>Audio outputs</b></p>	<ul style="list-style-type: none"> <li>• 1x analog line output</li> <li>• 1x DisplayPort/USB-C output</li> <li>• 2x USB-A outputs</li> <li>• Bluetooth® - Not available on Non Radio Version**</li> </ul>
<p><b>Microphone and loudspeaker system</b></p>	<ul style="list-style-type: none"> <li>• 3-channel loudspeaker system with 3 high-quality full range drivers and a separate mechanically balanced dual woofer section, supporting directional audio</li> <li>• Loudspeaker system frequency response 70 Hz to 22 kHz [+ 3 / -6 dB]</li> <li>• Max output Sound Pressure Level 97 dB</li> <li>• 16-element beamforming microphone array for crystal clear speech pick-up and support for speaker tracking</li> </ul> <p><b>Note:</b> The internal microphone array is optimized for use in small to medium sized meeting rooms with people seated within 4 meters from the device. In meeting rooms with people seated more than 4 meters from device, we recommend adding external microphones to ensure the best audio experience. Please note that room acoustic conditions and background noise level also impact the speech pick-up quality.</p>

Table 3. Cisco Room Bar Pro product specifications

SPECIFICATION	DESCRIPTION
<b>Speaker tracking</b>	<ul style="list-style-type: none"> <li>• The integrated microphone array enables sophisticated speaker tracking capability</li> <li>• Best overview functionality auto-detects people in the room and frames them for the best group view. When someone is talking, the system uses audio triangulation to detect the active speaker and selects the best framing to show an optimized, prominent view of the speaker</li> <li>• For an optimal speaker tracking experience for people joining remotely, it is recommended that the furthest in-room participant is located within up to 6 meters from the video device. Please note that the best overview (automatic group framing) camera mode is able to support an extended distance from the Room Bar Pro.</li> </ul>
<b>Content stream</b>	<ul style="list-style-type: none"> <li>• H.239 (H.323) dual stream</li> <li>• Binary Floor Control Protocol (BFCP) Session Initiation Protocol (SIP) dual stream</li> <li>• Supports resolutions up to 3840 x 2160 at 15 fps and 1920 x 1080 at 60 fps</li> </ul>
<b>Wireless sharing</b>	<ul style="list-style-type: none"> <li>• Webex app (up to 3840 x 2160 at 7.5 fps)</li> <li>• Cisco Intelligent Proximity client (up to 3840 x 2160 at 3 fps)</li> <li>• Miracast (1920 x 1080 at 60 fps) – Not available on non-radio version</li> <li>• Apple AirPlay wireless sharing – Bonjour service discovery only on non-radio version               <ul style="list-style-type: none"> <li>- Screen mirroring up to 1920 x 1080 at 60 fps</li> <li>- Extended desktop (Mac only) - up to 1920 x 1080 at 60 fps</li> <li>- Video streaming up to 3840 x 2160 at 30 fps</li> </ul> </li> </ul>
<b>Multipoint support</b>	<ul style="list-style-type: none"> <li>• 4-way embedded SIP/H.323 conferencing capability with MultiSite option</li> </ul>
<b>MultiSite features</b>	<ul style="list-style-type: none"> <li>• Up to 15 Mbps total MultiSite bandwidth (6 Mbps in point-to-point calls)</li> <li>• Adaptive SIP/H.323 MultiSite:               <ul style="list-style-type: none"> <li>- 3-way resolution up to 1920 x 1080 at 30 fps + content up to 3840 x 2160 at 15 fps</li> <li>- 4-way resolution up to 1280 x 720 at 30 fps + content up to 3840 x 2160 at 15 fps</li> <li>- 5-way resolution up to 1280 x 720 30fps + content up to 3840 x 2160 at 15 fps</li> </ul> </li> <li>• Full individual audio and video transcoding</li> <li>• H.323/SIP/VoIP in the same conference</li> <li>• Support for presentation (H.239/BFCP) from any participant at resolutions up to 3840 x 2160 at 15 fps</li> <li>• Best impression (automatic continuous presence layouts)</li> <li>• Encryption and dual stream from any site</li> </ul>

Table 3. Cisco Room Bar Pro product specifications

SPECIFICATION	DESCRIPTION
<b>Video stream layouts</b>	<ul style="list-style-type: none"> <li>Supporting available Webex video stream layouts and meeting features, including focus, grid, prominent, stack and overlay. For more information, please consult the <a href="#">Webex Help Center</a>.</li> </ul>
<b>Language support</b>	<ul style="list-style-type: none"> <li>Arabic, Czech, Danish, German, US English, UK English, Catalanian, Spanish, Latin-American Spanish, Finnish, French, Canadian French, Hebrew, Hungarian, Italian, Japanese, Korean, Dutch, Norwegian, Polish, Brazilian Portuguese, Portuguese, Russian, Swedish, Turkish, Chinese (Simplified), Traditional Chinese, Ukrainian</li> </ul>
<b>System management and call control</b>	<ul style="list-style-type: none"> <li>For cloud deployments, the device is managed in the Control Hub, providing a single pane of glass of system status, activation, configuration, metrics, workspace insights, and troubleshooting</li> <li>For on-premises deployments, the following management and call control options apply:               <ul style="list-style-type: none"> <li>Native registration with Cisco Unified Communications Manager (CUCM) - requires version 12.5(1) or later with device pack for Room Bar Pro</li> <li>Native registration with Expressway</li> <li>TelePresence Management System 15.13.6 or later supports Cisco Room Bar Pro</li> <li>Webex Service</li> <li>Third-party H.323 gatekeepers and standards-based SIP proxies</li> </ul> </li> <li>In case of a hybrid deployment, Webex Edge for Devices allows for linking your on-premises Webex devices to the Webex Cloud and benefits from specific cloud features such as device management, monitoring, and analytics via Control Hub. <a href="#">Learn more</a> about the features and benefits of Webex Edge for Devices.</li> </ul>
<b>Protocols</b>	<ul style="list-style-type: none"> <li>H.323</li> <li>SIP</li> <li>Webex</li> <li>WebRTC</li> </ul>
<b>Embedded encryption</b>	<ul style="list-style-type: none"> <li>H.323 (proprietary Cisco version) and SIP point to point</li> <li>Standards-based: H.235 v3 and Advanced Encryption Standard (AES)</li> <li>Automatic key generation and exchange</li> <li>Support for end-to-end encryption in Webex meetings and calls</li> </ul>

Table 3. Cisco Room Bar Pro product specifications

SPECIFICATION	DESCRIPTION
<p><b>IP network features</b></p>	<ul style="list-style-type: none"> <li>• DNS lookup for service configuration</li> <li>• Differentiated services (Quality of Service [QoS])</li> <li>• IP-adaptive bandwidth management (including flow control)</li> <li>• Automatic gatekeeper discovery</li> <li>• Dynamic playout and lip-sync buffering</li> <li>• H.245 Dual-Tone Multifrequency (DTMF) tones in H.323</li> <li>• RFC 4733 DTMF tones in SIP</li> <li>• Date and time support using Network Time Protocol (NTP)</li> <li>• Media adaptation and resilience</li> <li>• Uniform Resource Identifier (URI) dialing</li> <li>• IPv4 Dynamic Host Configuration Protocol (DHCP)</li> <li>• IPv6 (both static and stateless address auto-configuration)</li> <li>• HTTP(S) proxy support (for signaling, not media)</li> <li>• Inspecting Transport Layer Security (TLS) proxy supported</li> <li>• Cisco Discovery Protocol (CDP)</li> <li>• 802.1X network authentication</li> <li>• 802.1Q Virtual LAN</li> <li>• 802.1p (QoS and Class of Service [CoS])</li> </ul>
<p><b>IPv6 network support</b></p>	<ul style="list-style-type: none"> <li>• Single call stack support for both H.323 and SIP</li> <li>• Dual-stack IPv4 and IPv6 for DHCP, SSH, HTTP, HTTPS, DNS, DiffServ</li> <li>• Support for both static and automatic IP configuration (stateless address auto configuration)</li> </ul>
<p><b>Security features</b></p>	<ul style="list-style-type: none"> <li>• Secure management using HTTPS and SSH protocols</li> <li>• End-to-end encryption for calls and meetings on Webex</li> <li>• Standards-based media encryption on all back-ends (Secure Real-time Transport Protocol [SRTP], using AES-128-GCM or AES-256-GCM)</li> <li>• WPA3™ and WPA3-Enterprise with CCMP128 Wi-Fi® security</li> <li>• Password protection to access administration available on Room Navigator controller</li> <li>• Network settings protection</li> <li>• Privacy cover</li> </ul>



Table 3. Cisco Room Bar Pro product specifications

SPECIFICATION	DESCRIPTION
<b>Certificate management</b>	<ul style="list-style-type: none"> <li>• The device comes with a manufacturer installed certificate (MIC) signed by Cisco’s manufacturing CA which can be used for Certificate Authority Proxy Function (CAPF) for secure onboarding to Cisco UCM</li> <li>• Option for users to install certificates with matching private keys for services such as IEEE802.1x, Wi-Fi, HTTPS server and SIP-TLS</li> <li>• Support for all regular certificate types and key sizes. The device comes with a pre-installed list of CAs (Certificate Authorities) that is vetted by Cisco and updated regularly. You can add or remove certificates from this list if desired. The CA list is used for outbound HTTPS and other TLS connections.</li> </ul>
<b>Network interfaces</b>	<ul style="list-style-type: none"> <li>• 1x Ethernet (RJ-45) 100/1000 Mbps for LAN (external network)</li> <li>• 1x Ethernet (RJ-45) 100/1000 Mbps PoE (802.3af) port with a power budget of 15.4W enabled for Cisco Room Navigator touch panel direct pairing</li> <li>• 2x Ethernet (RJ-45) 100/1000 Mbps PoE (802.3af) port with a power budget of 15.4W per port for AV over IP peripherals and Cisco/Third-party audio equipment</li> <li>• Wi-Fi 6/6E*, 802.11a/b/g/n/ac/ax2.4/5/6* GHz, 2x2 Multiple-Input Multiple Output (MIMO)</li> <li>• Note: Due to compliance regulations, it is recommended to enable 802.11d in the access point for the product to operate properly within 5725 MHz–5875 MHz. A Wi-Fi connection can be used as a flexible option. Ethernet connection is always preferred for high performance.</li> </ul>
<b>USB-C passthrough</b>	<ul style="list-style-type: none"> <li>• Ability to provide camera, microphone, and speakers over one USB-C cable to a connected computer</li> <li>• Extension of display (3840 x 2160 at 60 fps) (computer must support Alt-mode Display Port)</li> <li>• USB-C passthrough and content sharing with the same cable</li> <li>• USB-C support up to 3840 x 2160 at 30 fps</li> </ul>
<b>Other interfaces</b>	<ul style="list-style-type: none"> <li>• Bluetooth® and Bluetooth® Low Energy**</li> <li>• 2x USB 2.0 port type A for touch display, microphones, keyboards and room peripherals</li> <li>• 1x micro-USB port (service port)</li> <li>• Factory reset pinhole</li> <li>• Safety key slot (Kensington safety slot)</li> </ul>
<b>Sensors</b>	<ul style="list-style-type: none"> <li>• Presence sensor powered by ultrasound technology embedded into the video bar</li> <li>• Environmental sensors measuring temperature, humidity, air quality and other room conditions included in the Room Navigator control panel (please consult the Cisco Room Navigator datasheet for more information)</li> </ul>

Table 3. Cisco Room Bar Pro product specifications

SPECIFICATION	DESCRIPTION
<b>Power</b>	<ul style="list-style-type: none"> <li>• 100 to 240 VAC, 50/60 Hz</li> <li>• Average 20 W</li> <li>• Networked standby 12,7 W</li> <li>• Standby 1 W</li> <li>• Easily accessible power button on the top side of the video bar</li> <li>• Configurable for office hours mode, forcing the device into standby mode outside of the preset office hours and to half-wake mode at the beginning of the working hours</li> </ul>
<b>Mounting</b>	<ul style="list-style-type: none"> <li>• Consolidated mounting unit fit for walls and displays</li> <li>• Gap bar allows for a more aesthetic installation, covering the gap between the video bar and the display(s)</li> <li>• Video bar supports flexible mounting either above or underneath the screen(s)</li> <li>• When the video bar is installed underneath the display(s), the unit can be turned upside down for streamlined cable management and a cleaner setup.</li> <li>• The speaker grille can be easily de-attached and flipped to align with the mounting</li> <li>• Built-in power supply allows for simpler installation and smaller packaging, and allows for more energy efficient use</li> </ul>
<b>Operating temperature and humidity</b>	<ul style="list-style-type: none"> <li>• 0°C to 35°C (32°F to 104°F) ambient temperature</li> <li>• 10% to 90% Relative Humidity (RH)</li> </ul>
<b>Storage and transport temperature</b>	<ul style="list-style-type: none"> <li>• -20°C to 60°C (-4°F to 140°F) at RH 10% to 90% (non-condensing)</li> </ul>

Table 3. Cisco Room Bar Pro product specifications

SPECIFICATION	DESCRIPTION
<p><b>Dimensions and weight</b></p>	<p><b>Cisco Room Bar Pro main unit dimensions:</b></p> <ul style="list-style-type: none"> <li>• Width: 37.8 in. (96 cm)</li> <li>• Height: 4.3 in. (11 cm)</li> <li>• Depth: 3.5 in. (9 cm)</li> <li>• Weight: 9.86 lb. (4.47 kg)</li> <li>•</li> </ul> <p><b>Packaging dimensions:</b></p> <p>Cisco Room Bar Pro with table-stand Room Navigator</p> <ul style="list-style-type: none"> <li>• Width: 44.3 in. (112.6 cm)</li> <li>• Height: 9.2 in. (23.3 cm)</li> <li>• Depth: 8.9 in. (22.7cm)</li> <li>• Weight: 19.6 lb. (8.9 kg)</li> </ul>
<p><b>Approvals and regulatory compliance</b></p>	<ul style="list-style-type: none"> <li>• Directive 2014/53/EU (Radio Equipment Directive) for the radio versions</li> <li>• Directive 2014/30/EU (EMC Directive) for the non-radio versions</li> <li>• Directive 2014/35/EU (Low-Voltage Directive) for the non-radio versions</li> <li>• Directive 2011/65/EU (Restriction of Hazardous Substances [RoHS])</li> <li>• Directive 2012/19/EU (Waste Electrical and Electronic Equipment [WEEE])</li> <li>• Nationally Recognized Testing Laboratory (NRTL) approved (product safety)</li> <li>• FCC CFR 47 Part 15B (EMC) – Class A</li> <li>• FCC CFR 47 Part 15C (Radio frequency [RF])</li> <li>• FCC CFR 47 Part 15E (RF)</li> <li>• FCC Listed (radio equipment)</li> </ul> <p>The list above reflects the regulations applicable at the time of publishing this document. For an updated list of regulations applicable, see the Product Approval Status Database for approval documents per country.</p>

Table 3. Cisco Room Bar Pro product specifications

SPECIFICATION	DESCRIPTION
<p><b>Sustainability</b></p>	<ul style="list-style-type: none"> <li>• Circular design principles applied for product architecture, materials and packaging</li> <li>• Improved packaging efficiency and reduced amount of single-use plastics in the box compared to the Cisco Room Kit</li> <li>• Consolidated mounting unit for wall and screen</li> <li>• Foam-free, 100% recyclable packaging design including fibre-based, paper pulp trays, instead of box-in-the-box packaging</li> <li>• Over 50% of all plastic in the device is Post-Consumer Recycled (PCR) resin originating from end-of-life Cisco devices and old electronics Opt-in required for certain accessories to remove redundant components thus eliminating unwanted parts from the box. The video bar is designed for easy repair, refurbishing, and recycling to extend the lifecycle of the product and the materials used for manufacturing</li> <li>• Networked standby mode and Office hours on Cisco devices supported to lower energy usage</li> <li>• Using built-in presence sensors in the device and environmental sensors in the touch panel, it can provide real-time and historical occupancy and room metrics to control the workspace environment and optimize power consumption</li> <li>• Cisco’s takeback and reuse program enables you to return your end-of-use devices for free, via a simple, secure and sustainable process.</li> </ul> <p>Learn more about how Cisco supports the <a href="#">Circular Economy</a>.</p>

\* Availability with future software release.

\*\* The Bluetooth® word mark and logos are registered trademarks owned by Bluetooth SIG, Inc.

and any use of such marks by Cisco Systems, Inc. is under license.

Other trademarks and trade names are those of their respective owners.

# Feature availability matrix

**Table 4.** Feature availability matrix for Cisco Room Bar Pro

FEATURE	RoomOS	Microsoft Teams Rooms (with registration to Control Hub)	Microsoft Teams Rooms
Native Microsoft Teams Rooms meeting experience	No	Yes	Yes
Native Webex meeting experience	Yes	Yes, via One-Button-to-Push meeting join	No
Microsoft Teams Meetings with VIMT (CVI) or WebRTC / Direct Guest Join	Yes	N/A	N/A
Google Meet interop (WebRTC)	Yes	No	No
Zoom Meetings interop	Yes, feature-rich SIP meetings	Yes, WebRTC-based meetings	Yes, WebRTC-based meetings
Video standards supported	H.264 AVC, H.265, H.263	H.264 AVC	H.264 AVC
Standards-based video interop (SIP/H.323 dialing)	Yes	No	No
Content share resolution	In active meeting: up to 3840 x 2160 at 15 fps  Outside of active meeting: up to 3840 x 2160 at 30 fps	In active meeting: up to 1920 x 1080 at 15 fps  Outside of active meeting: up to 1920 x 1080 at 30 fps	In active meeting: up to 1920 x 1080 at 15 fps  Outside active meeting: up to 1920 x 1080 at 30 fps
Simultaneous content sources for local presentation (outside video meeting)	2	1	1

**Table 4.** Cisco Room Bar feature availability

FEATURE	RoomOS	Microsoft Teams Rooms (with registration to Control Hub)	Microsoft Teams Rooms
Wireless sharing options	Webex App, Miracast, Apple AirPlay	Microsoft Teams Sharing, Miracast	Microsoft Teams Sharing, Miracast
Multi-camera support	Yes	Yes	Yes
Presenter tracking	Coming soon	Coming soon	Coming soon
Triple-screen support for live video and content	Yes	No	No
Connectivity with digital microphones via PoE	Yes	Yes	Yes
USB Passthrough	Yes	Yes	Yes
People Focus intelligent layout composition	Yes, in Webex meetings	In native Webex meetings only	No
Frames camera mode for individual participant views	Yes	Yes	Yes
ML-based noise removal	Yes	Yes	Yes
Directional sound experience	Yes	In native Webex meetings only	No
Deployment options	On premises, cloud, hybrid	Cloud only	Cloud only
Voice assistant	Webex Assistant	No	No

**Table 4.** Feature availability matrix for Cisco Room Bar Pro

FEATURE	RoomOS	Microsoft Teams Rooms (with registration to Control Hub)	Microsoft Teams Rooms
Enterprise calling	Webex Calling / UCM	Teams Calling	Teams Calling
Cloud device management	Control Hub	Teams Admin Center & Control Hub	Teams Admin Center
Room booking	Hybrid Calendar + Room Navigator touch panel	Microsoft Teams Calendar + Room Navigator touch panel as Teams Panel	Microsoft Teams Calendar + Room Navigator touch panel as Teams Panel
Conference controls	Hybrid Calendar + Room Navigator touch panel	Microsoft Teams Calendar + Room Navigator touch panel as Microsoft Teams Rooms Console	Microsoft Teams Calendar + Room Navigator touch panel as Microsoft Teams Rooms Console
Native, third-party web apps	Yes	No	No
Digital signage	Yes	No	No
Custom controls with Macros and User Interface extensions	Yes	No	No
Customized branding (logos, wallpaper)	Yes	No	No
Workplace analytics in Control Hub with APIs	Yes	Yes	No
Multi-tenant device management, bulk configuration and automated software upgrades in Control Hub	Yes	Yes	No

# Ordering information

To place an order, contact your local Cisco representative and refer to the table below.

Table 5. Ordering information

PRODUCT NAME	PART NUMBER	COMPLIANCE MODEL NUMBER
<b>MAIN OFFER SUMMARY</b>		
Cisco Room Bar Pro - First Light (with Room Navigator Table Stand, Mount and Accessories)	CS-BARPRO-K9	TTC4-01
Cisco Room Bar Pro - Carbon Black (with Room Navigator Table Stand, Mount and Accessories)	CS-BARPRO-C-K9	TTC4-01
Cisco Room Bar Pro - Non-Radio - First Light (with Room Navigator Table Stand, Mount and Accessories)	CS-BARPRO-NR-K9	TTC4-01
Cisco Room Bar Pro Multi-line Bundle (Build your own bundle)	CS-BARPRO	TTC4-01
Cisco Room Bar Pro - First Light - TAA (with Room Navigator Table Stand, Mount and Accessories)	CS-BARPRO-K9++	TTC4-01
Cisco Room Bar Pro - Non-Radio - First Light - TAA (with Room Navigator Table Stand, Mount and Accessories)	CS-BARPRO-NR-K9++	TTC4-01
Cisco Room Bar Pro TAA Multi-line Bundle (Build your own bundle)	CS-BARPRO-TAA	TTC4-01
<b>DEFAULT BOX COMPONENTS</b>		
Mounting Kit (Wall and Screen) for Cisco Room Bar Pro	CS-BARPRO-MOUNT-	



Table 5. Ordering information

PRODUCT NAME	PART NUMBER	COMPLIANCE MODEL NUMBER
HDMI 2.0 Cable - 1.5 meter - Gray (for one monitor)	CAB-2HDMI-1.5M-GR-	
Ethernet CAT5E Round Cable - 5 meter - Gray - SPARE (for network connection)	CAB-ETH-5M-GR-	
Cisco Room Navigator Table Stand - First Light	CS-T10-TS-L-	TTC5-15
Ethernet CAT5E Round Cable - 8 meter - Gray - SPARE (for Room Navigator)	CAB-CAT5E-8M-	
Power cord (country-specific)	Part number varies by region	
<b>OPTIONAL BOX COMPONENTS (PRICED OPTIONS)</b>		
Privacy Camera Cover for Room Bar Pro	CS-BARPRO-CAMCOV	
<b>SOFTWARE OPTIONS - ORDERED SEPARATELY</b>		
Remote Monitoring option for Room Kit / Room Bar Pro	L-KIT-RM (L-TP-RM)	
MultiSite (embedded multipoint) option for Room Kit / Room Bar Pro	L-KIT-MS (L-ROOM-PAK)	
<b>OPTIONAL COMPONENT SPARES - ORDERED SEPARATELY</b>		
Privacy Camera Cover for Room Bar Pro - SPARE	CS-BARPRO-CAMCOV=	
Mounting Kit (Wall and Screen) for Cisco Room Bar Pro - SPARE	CS-BARPRO-MOUNT=	
HDMI 2.0 Cable - 1.5 meter - Gray - SPARE (for monitors)	CAB-2HDMI-1.5M-GR=	

Table 5. Ordering information

PRODUCT NAME	PART NUMBER	COMPLIANCE MODEL NUMBER
Cisco Multi-head Cable - 2.5 meter (4K, USB-C, HDMI, miniDP) - SPARE	CAB-HDMI-MUL4K-2M=	
Presentation cable HDMI 1.4b (with repeater) - 8 meter - Gray - SPARE	CAB-PRES-2HDMI-GR=	
USB C - USB A Cable - 4 meter - Gray - SPARE	CAB-USBC-4M-GR=	
Cisco USB-C active optical cable, 9 meter - Gray - SPARE	CAB-USBC-AC-9M=	
Ethernet CAT5E Round Cable - 5 meter - Gray - SPARE (for network connection)	CAB-ETH-5M-GR=	
Ethernet CAT5E Round Cable - 4 meter - Gray - SPARE (for Room Navigator)	CAB-CAT5E-4M=	
Ethernet CAT5E Round Cable - 12 meter - Gray - SPARE (for Room Navigator)	CAB-CAT5E-12M=	
Ethernet CAT5E Round Cable - 8 meter - Gray - SPARE (for Room Navigator)	CAB-CAT5E-8M=	
Cisco Room Navigator Table Stand - First Light - SPARE (Ethernet cable ordered separately)	CS-T10-WM-L-K9=	TTC5-15
Cisco Room Navigator Wall Mount - Frist Light - SPARE (Ethernet cable ordered separately)	CS-T10-TS-L-K9=	TTC5-15

## Warranty information

Cisco Room Bar Pro has a 90-day limited liability warranty.

## Product sustainability

Information about Cisco’s environmental, social and governance (ESG) initiatives and performance is provided in Cisco’s CSR and sustainability [reporting](#).

Reference links to information about key environmental sustainability topics (mentioned in the “Environment Sustainability” section of the CSR Report) are provided in the following table:

**Table 6.** Cisco Environmental Sustainability Information

SUSTAINABILITY TOPIC		REFERENCE
<b>General</b>	Information on product-material-content laws and regulations	<a href="#">Materials</a>
	Information on electronic waste laws and regulations, including our products, batteries and packaging	<a href="#">WEEE Compliance</a>
	Information on product takeback and resuse program	<a href="#">Cisco Takeback and Reuse Program</a>
	Sustainability Inquiries	Contact: <a href="mailto:csr_inquiries@cisco.com">csr_inquiries@cisco.com</a>
<b>Material</b>	Product packaging weight and materials	Contact: <a href="mailto:environment@cisco.com">environment@cisco.com</a>

Cisco makes the packaging data available for informational purposes only. It may not reflect the most current legal developments, and Cisco does not represent, warrant, or guarantee that it is complete, accurate, or up to date. This information is subject to change without notice.

## Hardware as a Service

An affordable way to purchase hardware

Cisco Hardware as a Service provides a new way to purchase hardware with a simple, scalable, and flexible way to pay. Stay up to date with the latest models of IP Phones and Collaboration Devices to enhance collaboration and create workspaces for the future. And get ready for all the power of Cisco's unified cloud platform!

[Click here](#) to access the Cisco Hardware as a Service datasheet

## Cisco Capital

**Flexible payment options make it easier than ever to get the Cisco technology you need**

Cisco Capital® delivers leading-edge payment solutions, allowing you to stay focused on what's most important—your business. We can help you drive business outcomes, accelerate innovation and digital transformation, and adapt to market dynamics faster with flexible payment options tailored to your specific business needs. Reduce the total cost of ownership, conserve capital, and accelerate growth. We help you realize the full benefits of Cisco technology today, and in the future, and pay for it in the way that best suits your business requirements. Whether you are looking for a pay-as-you consume model, or need to bundle Cisco hardware, software, services, subscriptions and third-party solutions, [learn more](#) about how Cisco Capital can help.

## Cisco services and support

Cisco and our partners provide a broad portfolio of smart, personalized services and support that can help you realize the full business value of your Cisco collaboration investment by increasing business agility and network availability. This portfolio of services accelerates business innovation by harnessing the network as a powerful business platform. For more information about these services, please visit [cisco.com/go/collaborationservices](https://cisco.com/go/collaborationservices).



**For more information**  
Please visit [our website](#)

June 2023