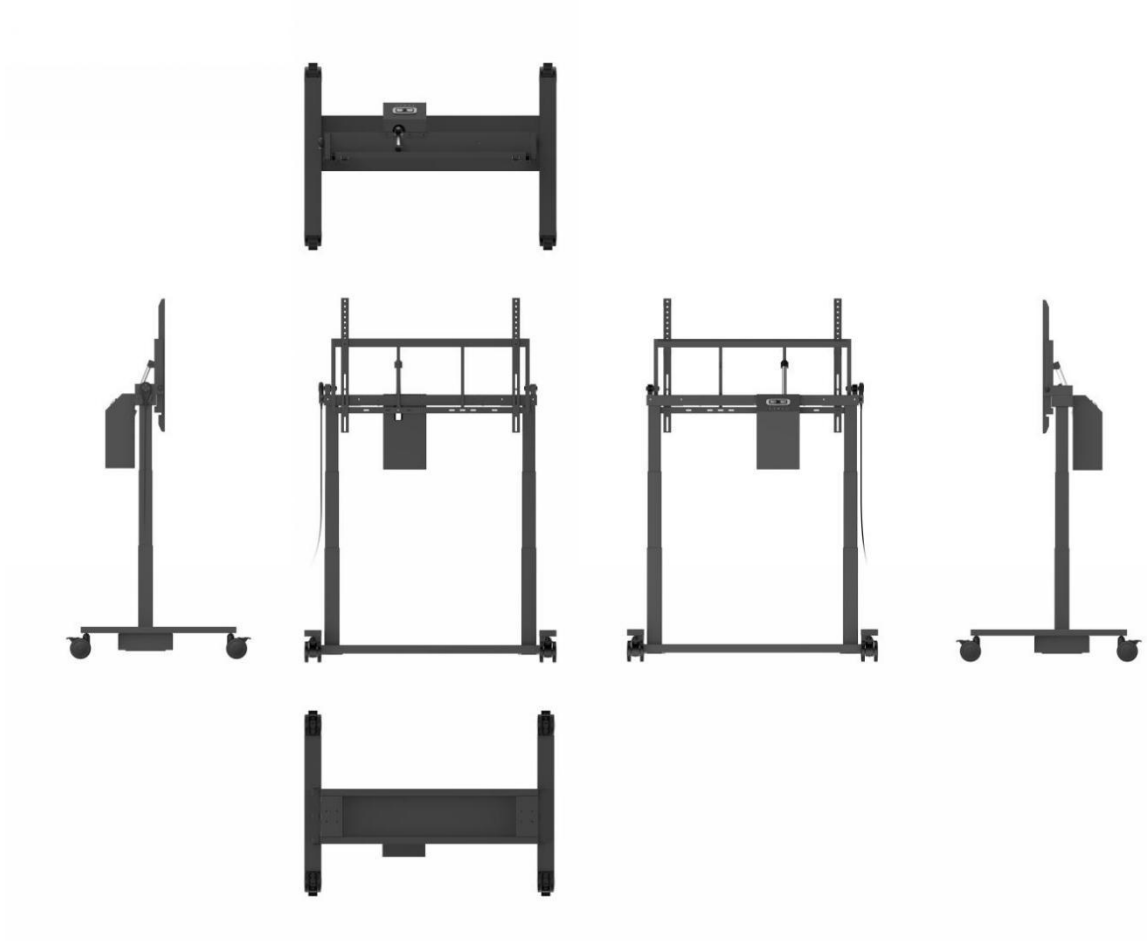
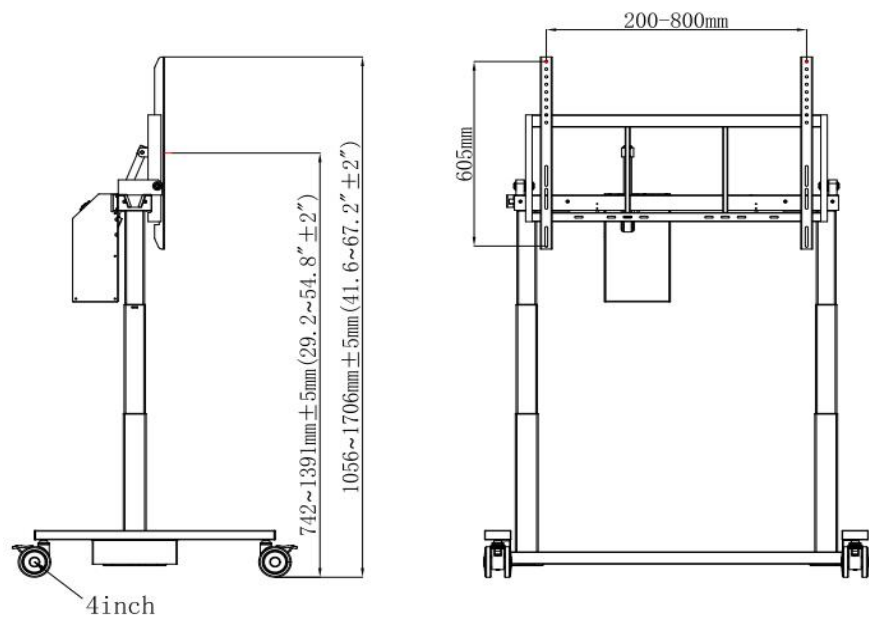
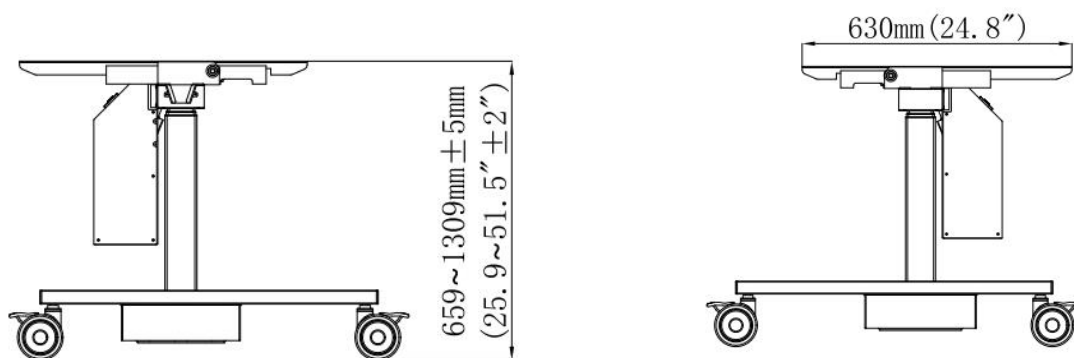


EST11 Product Specification



Dimensions:





Product Specifications:

Physical Specifications

Dimension of the assembled (L*W*H)	1178×741×(1056~1706) mm
Dimension with Package (L×W×H) (L*W*H)	1305×825×205mm
Power Requirements	100~240V
Lifting Distance	650 mm
Flip Angle	90 ° ± 1 °
Gross Weight	46kg
Net Weight	57kg
Largest Bearing	100kg
Max Load Size	Recommend No more than 86 inches
Control Mode	Control Panel /Control Pad/ Software
Castors	4 Inches Mute
Support Wall-hanging	Standard Dedicated wall mount

Accessories

AC Power Cable (been installed)	1
USB Adapter Cable	1
Hand Controller	1
Holder For Hand Controller	1
Screw Accessory Package	1
Installation Manual And Instruction For Use	1

Environmental Conditions

Operation Temperature	0°C - 40°C
Operation Humidity	10% - 90%
Storage Temperature	-20°C -60°C
Storage Humidity	10% - 90%
Altitude	Below 2000 meters