

Specification

Product Name: Lavalier/Headset Microphone

Product Model: HY-U1904ML

Document Version: A/1 (2024.4.15)

Production Department: Product Department

1、 Product Overview

1.1 Product Image



2、 Product Specifications and Parameters

2.1 Functional Parameters

1. Utilizes a frequency bandwidth of 27-50MHz with 250KHz channel spacing, offering 800 channel options to easily avoid various interferences;
2. The controller is equipped with 4×1.8" high-brightness LCD displays, dynamically displaying information such as system signal strength, volume, channel, frequency point values, and frequency scanning;
3. The microphone features a 1.8" high-brightness LCD display, dynamically showing information such as battery level, volume, and channel;
4. Equipped with an automatic frequency scanning function for 4 channels, which automatically filters out frequencies prone to interference in the environment and selects frequencies that are interference-free under optimal conditions;
5. Equipped with a channel lock function to prevent unauthorized changes to preset parameters, avoiding accidental operation;

7. Each channel is equipped with an independent sensitivity adjustment, with an adjustment range of 0-40, allowing adjustment of each microphone's sensitivity according to actual needs;
7. Equipped with four independent XLR outputs and one 6.35mm mixed output, with adjustable mixed output level, supporting independent audio recording and storage for the entire meeting;
8. Equipped with four independent volume adjustment knobs and four sets of independent infrared frequency matching windows, facilitating volume adjustment and infrared frequency matching;
9. Utilizes four independent antennas for audio and data transmission, ensuring more stable and reliable sound quality during transmission;
10. Equipped with four sets of four-digit function control buttons to independently adjust the parameters of each display module, with independent on/off buttons for the displays;
11. Provides two transmission power options (high and low), allowing the selection of transmission power based on usage distance and the number of devices;
12. Supports dual power supply modes: two AA batteries or nickel-metal hydride rechargeable batteries, or direct power supply via a charger;
13. Adopts a low-power design, with nickel-metal hydride rechargeable batteries providing continuous use for over 10 hours;

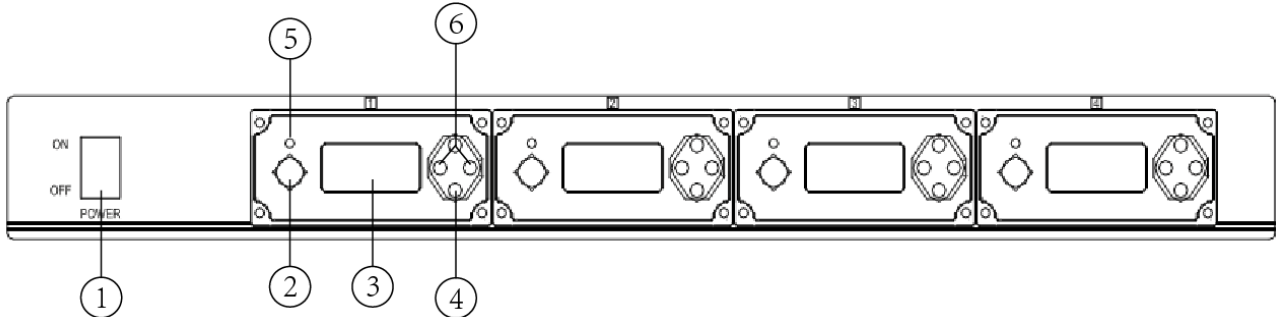
2.2 Technical Parameters

System Specifications	
Channel Spacing	Each segment is a multiple of 25KHz
Frequency Stability	Within $\pm 0.005\%$
Dynamic Range	100dB
Maximum Frequency Deviation	$\pm 45\text{KHZ}$
Audio Response	80HZ- 18KHZ($\pm 3\text{dB}$)
Overall Signal-to-Noise Ratio	$>105\text{dB}$
Total Harmonic Distortion	$\leq 0.5\%$
Operating Temperature	$- 10^{\circ}\text{C} \sim +40^{\circ}\text{C}$
Receiver Specifications	
Receiving Method	Double superheterodyne
Intermediate Frequency	110MHz; Second Intermediate Frequency: 10.7MHz
Sensitivity	• $12 \text{ dB}\mu\text{V}$ (80dB/N)
Spurious Rejection	$\geq 75\text{dB}$
Maximum Output Level	+10 dBV
Receiver Dimensions (W*D*H)	420 X 178 X 44MM

3、Product Introduction

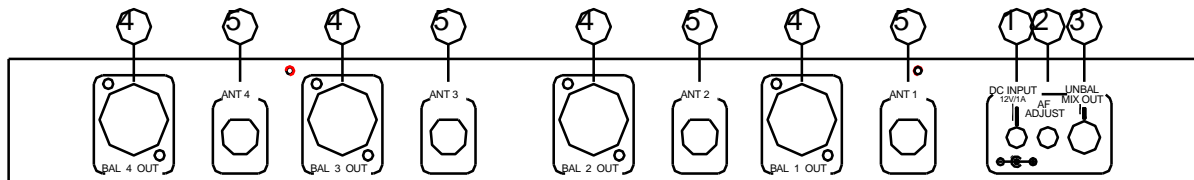
3.1 Transmitter Introduction (U1904T)

Front Panel



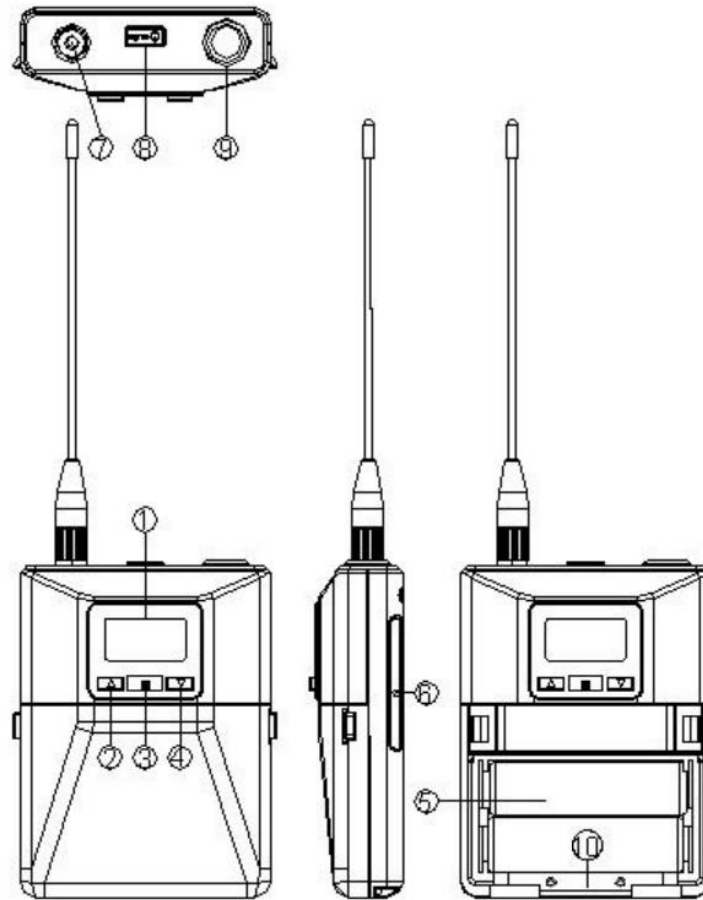
1. Power Switch: Controls the main power of the unit.
2. Independent Volume Knob: Adjusts the volume for each channel.
3. LCD Display: Shows frequency/channel, reception signal strength, and other information.
4. Module Independent Power On/Off Switch: Controls the power for each module separately.
5. Infrared Frequency Sync Window: Used for infrared frequency matching.
6. Function Buttons: Used for various settings and operations.

Rear Panel



1. Power Socket: Uses a switching power supply of DC 12V/1A.
2. Tuning for 4-Channel Receiver Module Mixed Output Level.
3. 4-Channel Receiver Module Mixed 6.35mm Unbalanced Output.
4. 4 Separate Balanced Outputs.
5. 4 Antenna Sockets.

3.2 Receiver Introduction(U1904L and U1904H)



1. LCD Screen: Displays the current working channel and battery level.
2. Volume Increase and Unlock Button.
3. Infrared Frequency Sync Window: Works with the receiver's SET button to transfer channel parameters to this bodypack.
4. Volume Decrease and Lock Button.
5. Battery Compartment: Holds 2 AA batteries.
6. Metal Belt Clip.
7. Antenna.
8. Power Switch.
9. Four-pin Balanced Audio Input Socket.
10. Charging Contacts: Can only be used with the manufacturer-supplied nickel-metal hydride battery charger.